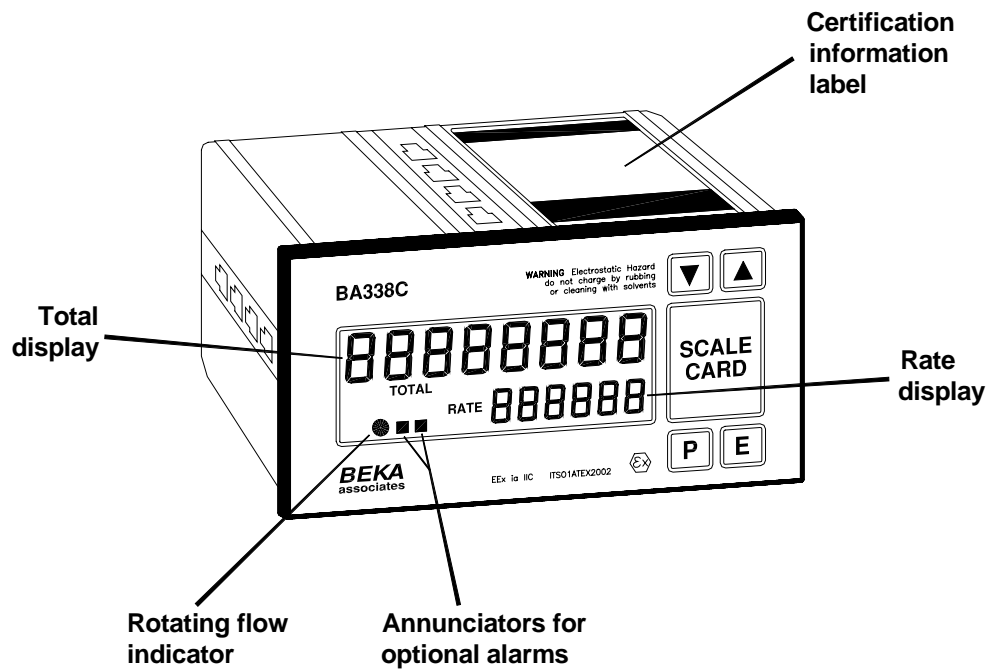


BA338C
Intrinsically safe
Externally powered
pulse input
panel mounting
rate totaliser

issue 13



CONTENTS

- 1. Description**
- 2. Operation**
 - 2.1 Initialisation
 - 2.2 Controls
 - 2.3 Displays
- 3. Intrinsic Safety Certification**
 - 3.1 ATEX certificate
 - 3.2 Power supply
 - 3.3 Pulse input terminals
 - 3.3.1 Voltage pulse input
 - 3.3.2 Contact, proximity detector or open collector input
 - 3.4 Remote reset terminals
 - 3.5 Zones, gas groups and T rating
 - 3.6 Certification label information
- 4. System Design for Hazardous Area**
 - 4.1 System certificates
 - 4.2 Use with Zener barriers
 - 4.2.1 Power supply
 - 4.2.2 Pulse input
 - 4.2.3 Switch contact input
 - 4.2.4 2-wire proximity detector input
 - 4.2.5 Voltage pulse input
 - 4.2.6 Remote reset
 - 4.3 Use with galvanic isolators
 - 4.3.1 Power supply
 - 4.3.2 Pulse input
 - 4.3.3 Switch contact input
 - 4.3.4 2-wire proximity detector input
 - 4.3.5 Voltage pulse input
 - 4.3.6 Remote reset
- 5. Installation**
 - 5.1 Location
 - 5.2 Installation procedure
 - 5.3 EMC
- 6. Programming and Calibration**
 - 6.1 Calibration structure
 - 6.2 Accessing programme functions
 - 6.3 Summary of programmable functions.
 - 6.4 Display update interval
 - 6.5 Type of input
 - 6.6 Position of the decimal points
 - 6.7 Lower display
 - 6.8 Rate scale factor
 - 6.9 Timebase
 - 6.10 Rate filter
 - 6.11 Total scale factor
 - 6.12 Clip-off
 - 6.13 Local reset
 - 6.14 Resetting grand total
 - 6.15 Security code
- 7. Calibration Example**
 - 7.1 Calibration procedure
- 8. Maintenance**
 - 8.1 Fault finding during commissioning
 - 8.2 Fault finding after commissioning
 - 8.3 Servicing
 - 8.4 Routine maintenance
 - 8.5 Guarantee
 - 8.6 Customer comments
- 9. Accessories**
 - 9.1 Scale card
 - 9.2 Tag number
 - 9.3 Alarms
 - 9.3.1 Solid state output
 - 9.3.2 Intrinsic safety
 - 9.3.3 Programming and adjustment
 - 9.3.4 Alarm enable
 - 9.3.5 Type of alarm
 - 9.3.6 Setpoint adjustment
 - 9.3.7 Alarm function
 - 9.3.8 Alarm output status
 - 9.3.9 Hysteresis
 - 9.3.10 Alarm delay
 - 9.3.11 Alarm silence time
 - 9.3.12 Access setpoint
 - 9.3.13 Adjusting alarm setpoints from display mode.
 - 9.4 Display backlight
 - 9.5 Pulse Output
 - 9.5.1 Intrinsic safety
 - 9.6 4/20mA output
 - 9.6.1 Intrinsic safety
 - 9.6.2 Programming & adjustment
- 10. Index**
- Appendix 1**
FM Approval for use in the USA

The BA338C is CE marked to show compliance with the
European Explosive Atmospheres Directive 94/9/EC
and the European EMC Directive 2004/108/EC

1. DESCRIPTION

The BA338C is an intrinsically safe, externally powered pulse input rate totaliser primarily intended for use with flowmeters. The instrument simultaneously displays the rate of flow and the total flow in engineering units on two separate displays.

The BA338C has been certified intrinsically safe by European Notified Body Intertek Testing Services (ITS) to the ATEX Directive 94/9/EC.

For use in the USA the instrument also has intrinsic safety and nonincendive FM approval – see Appendix 1.

Housed in a robust 72 x 144 panel mounting DIN enclosure, the BA338C has an IP65 static dissipative front panel and is supplied with a gasket to seal the joint between the instrument and the panel.

2. OPERATION

Fig 1 shows a simplified block diagram of a BA338C. The instrument accepts pulses from a single source and after scaling displays the total number of pulses received and their rate on separate displays. When connected to a pulse output flowmeter the BA338C will provide an accurate display of total flow and the rate of flow.

The BA338C has two sets of input terminals for connection to high or low level voltage pulses, a switch contact, an open collector output or to a two wire proximity detector. The instrument may therefore be used with almost any pulse output flowmeter. The total display may be reset to zero by a remote switch contact or from the front panel push-buttons.

Optional accessories enable the flow rate to be transmitted to other equipment as an isolated 4/20mA analogue signal and the total flow to be transmitted as a pulse signal. Optional alarms, which may be programmed to function on the rate or total displays, further extend the instrument's applications.

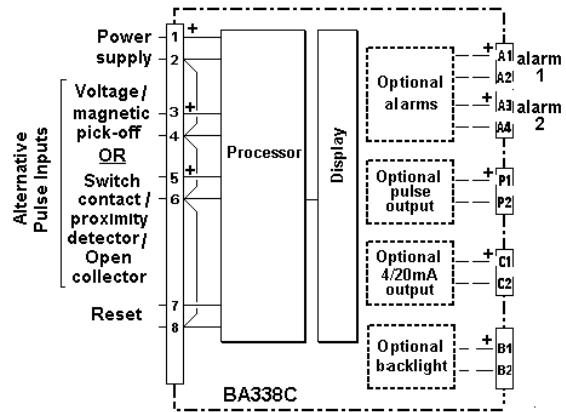


Fig 1 Simplified block diagram of BA338C

2.1 Initialisation

Each time power is applied to the instrument initialisation is performed. After a short delay the following display sequence occurs:

All segments of the display are activated for 2 seconds.

The product firmware part number and version number are displayed for 2 seconds.

Rate display and totaliser start to function using calibration information stored in the instrument's permanent memory.

2.2 Controls

The BA338C is controlled and calibrated via four front panel push-button switches. In the display mode i.e. when the instrument is displaying rate and total flow the switch functions are:

Description of Switch Functions

E+ Down While these buttons are pushed the total display will show the least significant eight digits of the grand total, and the grand total annunciator will be activated.

E+ Up While these two buttons are pushed the total display will show the most significant eight digits of the grand total and the grand total annunciator will be activated.

Down +Up Resets the total display to zero when these two push-buttons are operated simultaneously for two seconds. Selectable function from programme menu. See section 6.12

Down +P While these buttons are pushed the instrument will display the firmware part number and version number.

Note: When optional alarms are fitted, the BA338C may be programmed to provide direct access to the alarm setpoints from the display mode when the *P + Up* push-buttons are operated. – see section 9.3

2.3 Displays

The BA338C has two digital displays and associated annunciators, plus a flow indicator as shown on page 1.

Rate Display	Shows the flow rate on the smaller six digit display.
Total display	Shows the total flow on the larger eight digit display. Set to zero when local or remote reset switch is operated.
Flow indicator	This disc in the lower left hand corner of the display 'rotates' for two seconds each time an input pulse is received. Therefore when the pulse input frequency exceeds 0.5Hz the disc appears to rotate continuously
Hold Annunciator	Activated when input frequency is below the clip-off threshold.
Reset Annunciator	Activated while instrument is being reset.

3. INTRINSIC SAFETY CERTIFICATION

3.1 ATEX certificate

The BA338C has been issued with an EC-Type Examination Certificate by Notified Body Intertek Testing Services (ITS) confirming compliance with the European ATEX Directive 94/9/EC for Group II, Category 1, gas atmospheres, EEx ia IIC T5. The instrument bears the Community Mark and subject to local codes of practice, may be installed in any of the EU member countries. i.e. Austria, Belgium, Denmark, Finland, France, Germany, Greece, Ireland, Italy, Luxembourg, The Netherlands, Portugal, Spain, Sweden and the United Kingdom. ATEX certificates are also accepted in Norway, Iceland, Liechtenstein and in Switzerland. This manual describes installations which conform with BS EN60079:Part14 Electrical Installation in Hazardous Areas. When designing systems for installation outside the UK, the local Code of Practice should be consulted.

3.2 Power supply

When installed in a hazardous area the BA338C must be powered via a Zener barrier or galvanic isolator from a dc supply located in the safe area.

The input safety parameters of terminals 1 and 2 are:

$$\begin{aligned} U_i &= 28V \text{ dc} \\ I_i &= 100mA \text{ dc} \\ P_i &= 0.7W \end{aligned}$$

Any certified Zener barrier or galvanic isolator with output safety parameters within these limits may be used. The two system certificates provide guidance to help selection of suitable devices.

The maximum equivalent capacitance and inductance between terminals 1 and 2 is:

$$\begin{aligned} C_i &= 20nF \\ L_i &= 20\mu H \end{aligned}$$

To determine the maximum permissible cable parameters the above figures should be subtracted from the maximum permitted cable parameters specified for the Zener barrier or galvanic isolator powering the BA338C.

3.3 Pulse input terminals

The BA338C rate totaliser has two alternative pairs of input terminals enabling the instrument to count pulses from a wide variety of sources. **Note:** Only one pair of input terminals may be used at one time.

3.3.1 Voltage pulse inputs

Terminals 3 and 4 comply with the requirements for *simple apparatus*. In Europe, sources of energy which do not generate more than 1.5V; 100mA and 25mW are, for intrinsic safety purposes, considered to be *simple apparatus* (Clause 5.4 of EN50 020:1994).

Although the BA338C indicator does not itself comply with the requirements for *simple apparatus*, the EC-Type Examination Certificate specifies that under fault conditions the voltage, current and power at terminals 3 & 4 will not exceed those specified for *simple apparatus* in Clause 5.4 of EN50020:1994. This allows these input terminals to be connected to any certified intrinsically safe apparatus or circuit providing that the output parameters of the apparatus or circuit do not exceed:

$$\begin{aligned}U_o &= 28V \text{ dc} \\I_o &= 100mA \text{ dc} \\P_o &= 0.7W\end{aligned}$$

Therefore the certified intrinsically safe voltage pulse output of a flowmeter, or the output of a certified magnetic pick-off may be connected directly to these terminals providing:

The output parameters of the device do not exceed the figures shown above.

The device can withstand a 500V rms insulation test to earth.

The BA338C EC-Type Examination Certificate specifies that the maximum equivalent capacitance and inductance between the two pulse input terminals 3 and 4 is:

$$\begin{aligned}C_i &= 20nF \\L_i &= 20\mu H\end{aligned}$$

To determine the maximum permissible cable parameters these figures must be subtracted from the maximum permitted cable parameters specified for the Zener barrier or galvanic isolator connected to terminals 3 and 4. The two system certificates specify maximum permitted cable parameters when 28V 300 Ω devices are used

3.3.2 Contact, 2-wire proximity detector or open collector input

Terminals 5 and 6 are intended for connection to a switch contact, a certified open collector output or a certified intrinsically safe 2-wire NAMUR proximity detector. The output safety parameters are:

$$\begin{aligned}U_o &= 10.5V \text{ dc} \\I_o &= 9.2mA \text{ dc} \\P_o &= 24mW\end{aligned}$$

and the maximum permitted external capacitance and inductance is:

$$\begin{aligned}C_o &= 2.0\mu F \\L_o &= 248mH\end{aligned}$$

Mechanically operated switch contacts comply with the requirements for *simple apparatus*. Providing the switch and the BA338C are both located in the same hazardous area, the switch may be connected directly to terminals 5 & 6. This also applies to most magnetically operated reed switches used in turbine flowmeters.

Similarly, certified intrinsically safe open collector outputs may be directly connected to terminals 5 and 6

A certified intrinsically safe 2-wire proximity detector may also be connected directly to terminals 5 & 6 providing the input safety parameters of the detector are less than the output parameters of terminals 5 & 6. For guidance the BA338C system certificates specify some of the intrinsically safe 2-wire proximity detectors that may be used.

In all cases the device and circuit connected to terminals 5 & 6 must be capable of withstanding a 500V rms insulation test to earth for one minute.

The maximum input safety parameters for terminals 5 & 6 are:

$$\begin{aligned}U_i &= 28V \text{ dc} \\I_i &= 100mA \text{ dc} \\P_i &= 0.7W\end{aligned}$$

and the internal capacitance and inductance is:

$$\begin{aligned}C_i &= 20nF \\L_i &= 20\mu H\end{aligned}$$

which allows Zener barriers and galvanic isolators to be connected to these terminals. The BA338C system certificates specify the maximum permitted cable parameters when a 28V 300 Ω Zener barrier or galvanic isolator is used to transfer a pulse from the safe area to the BA338C in a hazardous area.

3.4 Remote reset terminals

The BA338C total display may be reset to zero by connecting the reset terminals 7 and 8 together for more than one second. These two terminals have the following input and output safety parameters:

U _o	=	3.8V dc
I _o	=	1.6mA dc
P _o	=	2.0mW
U _i	=	28V dc
I _i	=	100mA dc
P _i	=	0.7W

The maximum equivalent capacitance and inductance between them is:

C _i	=	1nF
L _i	=	0μH

The total display may be reset to zero from within the hazardous area by any mechanically operated switch connected directly to terminals 7 and 8. Alternatively, the BA338C may be programmed so that the total display is reset to zero when the *Up* and *Down* push-buttons are operated simultaneously for more than two seconds. See 6.12

To reset the total display from the safe area a Zener barrier or intrinsically safe relay is required to transfer the contact closure into the hazardous area. Almost any intrinsically safe relay with certification permitting the contacts to be connected to equipment in the hazardous area may be used. A positive diode return Zener barrier may also be used as shown in Fig 2. The system certificates list suitable devices and define the maximum cable parameters.

3.5 Zones, gas groups and T rating

The BA338C has been issued with an EC Type Examination certificate confirming that it complies with the requirements for Group II Category 1 G EEx ia IIC T5 (T_{amb} -40 to 60°C) specified in the ATEX Directive. When connected to a suitable system the BA338C may be installed in:

- | | |
|--------|---|
| Zone 0 | explosive gas air mixture continuously present. |
| Zone 1 | explosive gas air mixture likely to occur in normal operation. |
| Zone 2 | explosive gas air mixture not likely to occur, and if it does will only exist for a short time. |

Be used with gases in groups:
 Group A propane
 Group B ethylene
 Group C hydrogen

Having a temperature classification of:

T1	450°C
T2	300°C
T3	200°C
T4	135°C
T5	100°C

At an ambient temperature between -40 and +60°C.

Note: the guaranteed operating temperature range is -20 to +60°C

This allows the BA338C to be installed in all Zones and to be used with most common industrial gases.

WARNING installation in Zone 0

When installed in a Zone 0 potentially explosive atmosphere requiring apparatus of Category 1G, the rate totaliser shall be installed such that even in the event of rare incidents, an ignition source due to impact or friction between the aluminium enclosure at the rear of the instrument mounting panel and iron/steel is excluded.

3.6 Certification Label Information

The certification label is fitted in a recess on the top outer surface of the enclosure. It shows the ATEX certification information plus BEKA associates name and location and the instrument serial number. Non European certification information may also be included.



4. SYSTEM DESIGN FOR HAZARDOUS AREA

4.1 System certificates

In addition to the ATEX EC-Type Examination Certificate, ITS have issued two system certificates. One defines how the BA338C may be used with Zener barriers and the other with galvanic isolators. Both are divided into two sections to cover input signal sources in the hazardous and in the safe area.

Interface	Certificate No
Zener barriers	Ex01E2005
Galvanic isolators	Ex01E2006

This section interprets these system certificates and illustrates how to design systems with Zener barriers and galvanic isolators.

System certificates are Certificates of Conformity which are primarily issued for guidance in the UK. They do not form part of certification to the European ATEX Directive.

4.2 Use with Zener barriers

Zener barriers are the least expensive intrinsically safe interface between a safe and hazardous area. However they do not provide isolation and require a high integrity earth connection that may be expensive to install. For a single BA338C it may be less expensive and complicated to use galvanic isolators when a high integrity earth connection is not already available.

Any certified Zener barriers may be used with the BA338C providing their output parameters do not exceed the input parameters of the terminals to which they are connected. Only one polarity of Zener barrier i.e. positive or negative, may be used with an instrument.

To assist with system design, the Zener barrier system certificate specifies the maximum cable parameters for popular barriers and lists some of the diode return barriers that may be used.

Fig 2 illustrates the basic circuit that is used for all BA338C installations protected by Zener barriers. For simplicity, connections for the optional pulse output, 4/20mA output and backlight are included in the appendix to this manual.

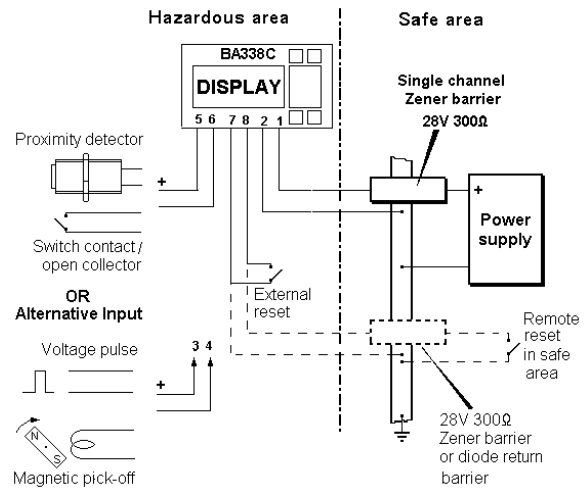


Fig 2 BA338C used with Zener barriers

Alternatively the pulse source may be located in the safe area. Fig 3 shows how an additional Zener barrier is used to transfer the signal to the rate totaliser in the hazardous area. When more than one Zener barrier is used in a system all must have the same polarity. i.e. all positive or all negative barriers.

When designing a system it is important to remember that terminals 2, 4, 6 and 8 are interconnected within the BA338C - see Fig 1.

4.2.1 Power supply

Usually a BA338C rate totaliser is powered from the safe area via a positive polarity 28V 300Ω Zener barrier, which has an end-to-end resistance of about 340Ω. When used with a proximity detector input the BA338C consumes approximately 25mA and requires a minimum voltage of 10V between terminals 1 and 2. The supply voltage in the safe area must therefore be between 18.5V and the maximum working voltage of the Zener barrier – usually about 26V.

4.2.2 Pulse input

As shown in Fig 2 the BA338C will count pulses from a wide variety of sources in the hazardous area, or from the safe area as shown in Fig 3. Terminals 5 and 6 are for pulse sources that need powering e.g. a switch contact, an open collector or a 2-wire NAMUR proximity detector. Terminals 3 and 4 are for voltage pulse inputs.

Note: Only one input may be used at a time. i.e. pulses can not be counted at terminals 3 & 4 and at 5 & 6 at the same time.

No Zener barrier is required in series with the input if the intrinsically safe pulse source is located within the hazardous area.

The following table shows the switching thresholds for the various transducers, plus the maximum

operating frequency and the input terminal numbers. For reliable counting the input signal must fall below the lower threshold and rise above the upper threshold.

	Switching thresholds		Freq max	Input terminals
	100Ω	1000Ω		
Switch	100Ω	1000Ω	100Hz	5 & 6
Proximity detector	1.2mA	2.1mA	5 kHz	5 & 6
Open collector	2kΩ	10kΩ	5kHz	5 & 6
Magnetic pick-off	0mV	20mV peak	5kHz	3 & 4
Voltage pulse	1.0V	3.0V	5kHz	3 & 4

4.2.3 Switch contact input

Any mechanically activated switch contact located in the hazardous area may be directly connected to terminals 5 & 6 providing it can withstand a 500V rms insulation test to earth. This includes most magnetically activated reed relays used in turbine flowmeters. The BA338C contains filtering to prevent contact bounce being counted, this limits the maximum operating frequency for a switch contact to 100Hz.

4.2.4 2-wire proximity detector input

Any certified intrinsically safe 2-wire proximity detector complying with NAMUR switching thresholds may be used, providing the input safety parameters are greater than the output safety parameters of terminals 5 & 6. The system certificates list some of the acceptable devices.

When programmed to operate with a proximity detector, the BA338C maximum input frequency is 5kHz.

4.2.5 Voltage pulse input

Voltage pulse sources should be connected to terminals 3 and 4. These terminals comply with the requirements for *simple apparatus* and may be directly connected to any certified intrinsically safe voltage source within the hazardous area which can withstand a 500V rms insulation test to earth for one minute and has output parameters equal to or less than:

$$\begin{aligned} U_o &= 28V \text{ dc} \\ I_o &= 100mA \text{ dc} \\ P_o &= 0.7W \end{aligned}$$

This enables the BA338C to be connected directly to most flowmeters incorporating a certified intrinsically safe magnetic pick-off, or a certified intrinsically safe amplifier producing a high level

pulse output. The BA338C has two programme selectable voltage switching thresholds, 'COIL' for magnetic pick-offs and 'UOLtS' for higher voltage pulses.

Maximum voltage pulse counting frequency is 5kHz.

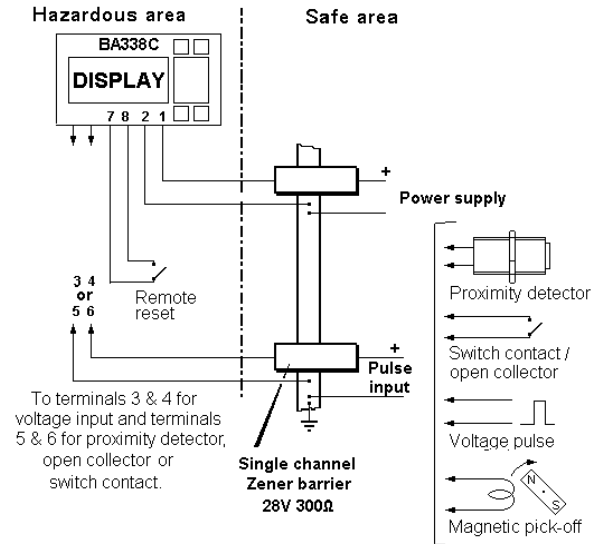


Fig 3 Pulse source in safe area

4.2.6 Remote reset

The BA338C total display is reset to zero when terminals 7 & 8 are connected together for more than one second. Permanent interconnection inhibits totalisation. Remote resetting may be accomplished by any mechanically operated switch located in the hazardous area providing it can withstand a 500V rms insulation test to earth. No Zener barrier is required.

The BA338C may be reset to zero from the safe area. Any switch may be used but a Zener barrier is required to transfer the contact closure into the hazardous area. Any one of the diode return barriers specified on the system certificate can be used for this application, it may be combined with the supply barrier so that only one package is required. Fig 2 illustrates how the BA338C may be reset from both the safe and the hazardous area.

Note: The BA338C can be programmed to reset the total display to zero when the *Up* and *Down* push-buttons are operated simultaneously for more than two seconds – see 6.12.

4.3 Use with Galvanic Isolators

Galvanic isolators are probably the simplest intrinsically safe interface as they provide isolation and do not require a high integrity earth connection.

Any certified galvanic isolator with output parameters less than the input parameters of the BA338C may be used. The BA338C system certificates list some of the suitable devices together with the maximum permitted cable parameters

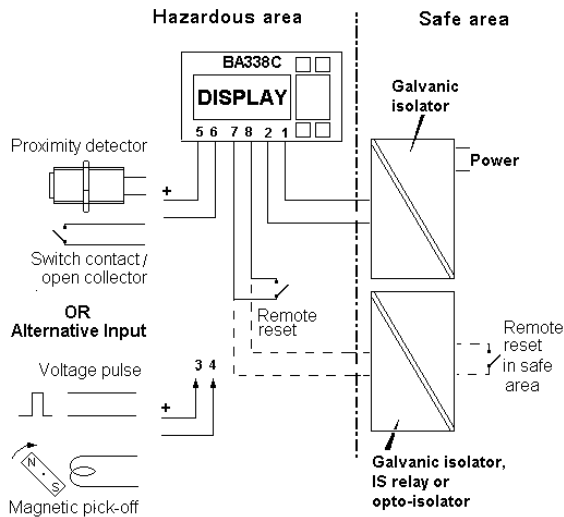


Fig 4 BA338C used with galvanic isolators

Fig 4 illustrates the basic circuit that is used for all BA338C installations protected by galvanic isolators. For simplicity, connections for the optional pulse output, 4/20mA output and backlight are included in the appendix to this manual.

Alternatively the pulse source may be located in the safe area. Fig 5 shows how an additional galvanic isolator is used to transfer the signal to the rate totaliser in the hazardous area.

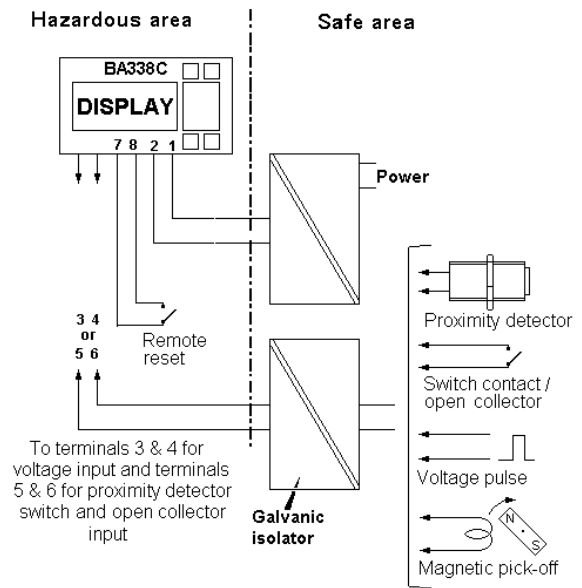


Fig 5 Pulse source in safe area

4.3.1 Power supply

Any certified galvanic isolator may be used to power the BA338C providing the output safety parameters are less than the maximum input parameters of terminals 1 & 2. In addition to matching the safety parameters, the isolator must be capable of supplying at least 25mA at 10Vdc to the BA338C. The BA338C system certificates list some of the suitable devices together with the maximum permitted cable parameters.

4.3.2 Pulse input

As shown in Fig 4 the BA338C will count pulses from a wide variety of sources. Terminals 5 and 6 are for sources that need powering e.g. a switch contact or a 2-wire NAMUR proximity detector. Terminals 3 and 4 are for voltage inputs. Only one input may be used at a time, i.e pulses can not be counted at terminals 3 & 4 and at 5 & 6 at the same time. No galvanic isolator is required in series with the input if the pulse source is located within the hazardous area.

The following table shows the switching thresholds for the various transducers, plus the maximum operating frequency and the input terminal numbers. For reliable counting the input signal must fall below the lower threshold and rise above the upper threshold.

	Switching thresholds		Freq max	Input terminals
Switch	100Ω	1000Ω	100Hz	5 & 6
Proximity detector	1.2mA	2.1mA	5 kHz	5 & 6
Open collector	2kΩ	10kΩ	5kHz	5 & 6
Magnetic pick-off	0mV	20mV peak	5kHz	3 & 4
Voltage pulse	1.0V	3.0V	5kHz	3 & 4

4.3.3 Switch contact input

Any mechanically activated switch contact located in the hazardous area may be directly connected to terminals 5 & 6 providing it can withstand a 500V rms insulation test to earth for one minute. This includes most magnetically activated reed relays used in turbine flowmeters. The BA338C contains filtering to prevent contact bounce being counted which limits the maximum operating frequency for a switch contact to 100Hz.

4.3.4 2-wire proximity detector input

Any certified intrinsically safe 2-wire proximity detector complying with NAMUR switching thresholds may be used, providing the input safety parameters are greater than the output safety parameters of terminals 5 & 6. The system certificates list some of the acceptable devices.

When programmed to operate with a proximity detector, the BA338C maximum input frequency is 5kHz.

4.3.5 Voltage pulse input

Voltage pulse sources should be connected to terminals 3 and 4. These terminals comply with the requirements for *simple apparatus*. They may be directly connected to any certified intrinsically safe voltage source within the hazardous area, providing it can withstand a 500Vrms insulation test to earth for one minute and has output parameters equal to or less than:

$$\begin{aligned} U_o &= 28V \text{ dc} \\ I_o &= 100mA \text{ dc} \\ P_o &= 0.7W \end{aligned}$$

This enables the BA338C to be connected directly to most flowmeters incorporating a certified intrinsically safe magnetic pick-off, or a certified intrinsically safe amplifier producing a high level pulse output. The BA338C has two programme selectable voltage switching thresholds, 'COIL' for magnetic pick-offs and 'UOLtS' for higher voltage pulses.

Maximum voltage pulse counting frequency is 5kHz.

4.3.6 Remote reset

The BA338C total display is reset to zero when terminals 7 & 8 are connected together for more than one second. Permanent interconnection inhibits totalisation. Remote resetting may be accomplished by any mechanically operated switch located in the hazardous area providing it can withstand a 500Vrms insulation test to earth for one minute. No galvanic isolator is required.

The BA338C may be reset to zero from the safe area. Any switch may be used but a galvanic isolator is required to transfer the contact closure into the hazardous area. Fig 4 illustrates how the BA338C may be reset from both the safe and the hazardous area.

Note: The BA338C can be programmed to reset the total display to zero when the *Up* and *Down* push-buttons are operated simultaneously for more than two seconds – see 6.12.

5. INSTALLATION

5.1 Location

The BA338C is housed in a robust aluminium enclosure with a polyester membrane front panel surrounded by a Noryl bezel. The front of the instrument provides IP65 protection, and a gasket seals the joint between the instrument enclosure and the panel. The instrument may be installed in any panel providing the environmental limits shown in the specification are not exceeded.

Although the front panel of the instrument has IP65 protection, the BA338C is not intended for external mounting. Please refer to BEKA associates if external mounting is required.

Fig 6 shows the overall dimensions of the BA338C and the panel cut-out. To achieve an IP65 seal between the instrument enclosure and the panel the smaller cut-out must be used and the instrument secured with four panel mounting clips.

The BA338C liquid crystal display has maximum contrast when viewed from directly ahead and slightly below the centre line of the instrument. For reflective displays there is little degradation of contrast when viewed from above the centre line, but slight degradation may be noticeable when the instrument is fitted with a backlight.

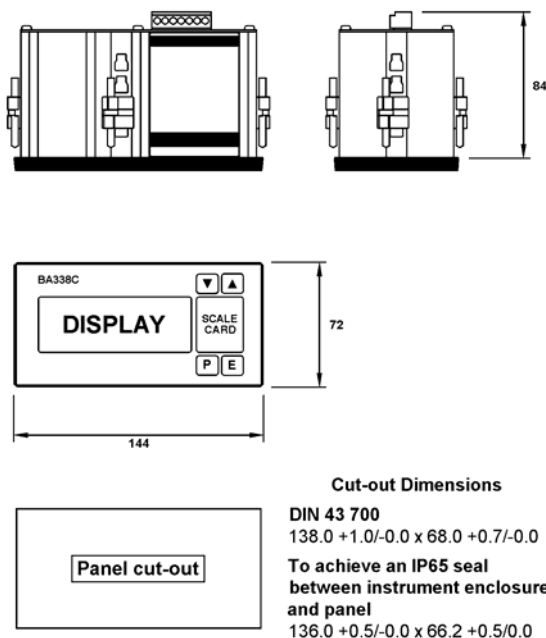
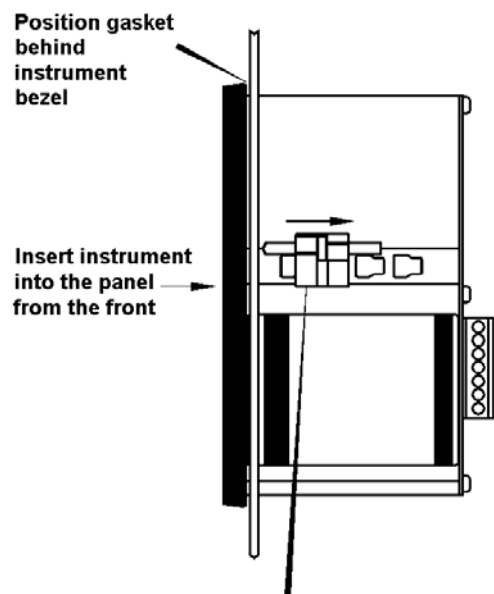


Fig 6 BA338C dimensions

5.2 Installation Procedure

- a. Insert the BA338C into the instrument panel cut-out from the front of the panel.
- b. Fix panel mounting clips to opposite sides of the instrument and tighten until the instrument is secure as shown in Fig 7. Four clips are required to achieve an IP65 seal between the instrument enclosure and the panel.
- c. Connect the panel wiring to the rear terminal block(s) as shown in Fig 7. To simplify installation, the terminals are removable so that panel wiring can be completed before the instrument is installed.



Slide panel mounting clip into the slotted rail on the side of the enclosure. Four clips are required to achieve an IP65 seal between instrument and panel.

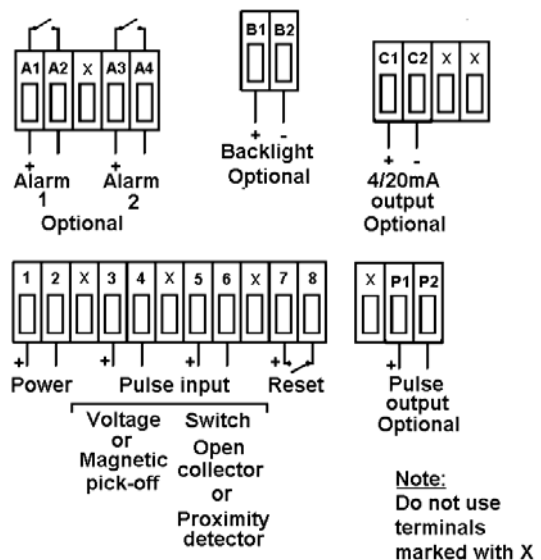


Fig 7 Installation and terminal connections

5.3 EMC

The BA338C complies with the requirements of the European EMC Directive 2004/108/EEC. For specified immunity all wiring should be in screened twisted pairs.

To prevent circulating currents, cable screens should only be earthed at one point in the safe area.

6. PROGRAMMING & CALIBRATION

The BA338C is programmed and calibrated via four front panel push-buttons. All the programming functions are contained in an easy to use menu that is shown diagrammatically in Fig 9. Each function is summarised in section 6.3 and includes references to more detailed information. Although this simple menu driven system enables most adjustments to be made without repeated reference to this manual, it is recommended that at least the summary of the programmable functions in section 6.3 is read before attempting programming or recalibration.

When the BA338C is fitted with alarms, 4/20mA output or a pulse output, the basic menu is expanded to include the option(s). Section 9 of this manual explains how to programme these additional functions.

Note: While the instrument is being programmed or calibrated, totalisation continues so that any flow occurring during this time is recorded.

6.1 Calibration structure

Fig 8 shows the BA338C calibration structure. The rate and total display calibration functions are totally independent allowing the displays to have different engineering units.

For the rate display the pulse input is scaled by SCALE-r to represent engineering units and multiplied by the timebase t-bASE to calculate and display the rate of flow per second, minute or hour.

Similarly, to calculate the total flow in engineering units the number of input pulses is divided by the total scale factor SCALE-t. Total flow is continuously added to the grand total.

The BA338C displays 'real' decimal points. Moving the position of a decimal point in a scale factor will therefore affect the instrument calibration.

The BA338C updates its total flow calculation twice per second. If the instrument is used for batching applications, this resolution may define the accuracy of the system.

Note: The total and rate displays may be updated less frequently depending upon the display update time selected.

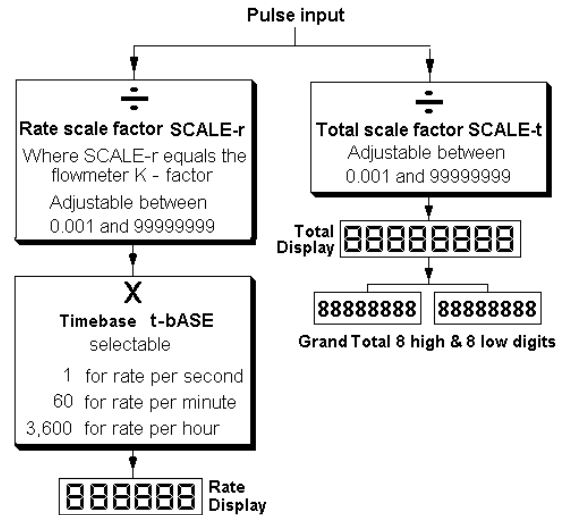


Fig 8 Calibration structure

6.2 Accessing programming functions

Throughout this manual push-buttons are shown in italics e.g. *P* or *Up* push-button, and legends displayed by the instrument are shown within inverted commas e.g. 'CAL' and 'ALr2'.

Access to the programme menu is obtained by operating the *P* and *E* push-buttons simultaneously. If the instrument is not protected by a security code the first parameter 'UPdAtE' will be displayed. If a security code other than the default code 0000 has already been entered, the instrument will display 'COdE'. Press *P* to clear this prompt and enter the security code for the instrument using the *Up* or *Down* push-buttons to adjust each digit, and the *P* push-button to move control to the next digit. If the correct code has been entered pressing *E* will cause the first parameter 'UPdAtE' to be displayed. If an incorrect code is entered, or a push-button is not operated within ten seconds, the instrument will automatically return to the display mode.

Apart from defining the position of the decimal point in the rate display all programme functions and prompts are shown on the large eight digit display.

Once within the main programme menu the required parameter can be reached by scrolling through the menu using the *Up* and *Down* push-buttons as shown by the programme structure in Fig 9.

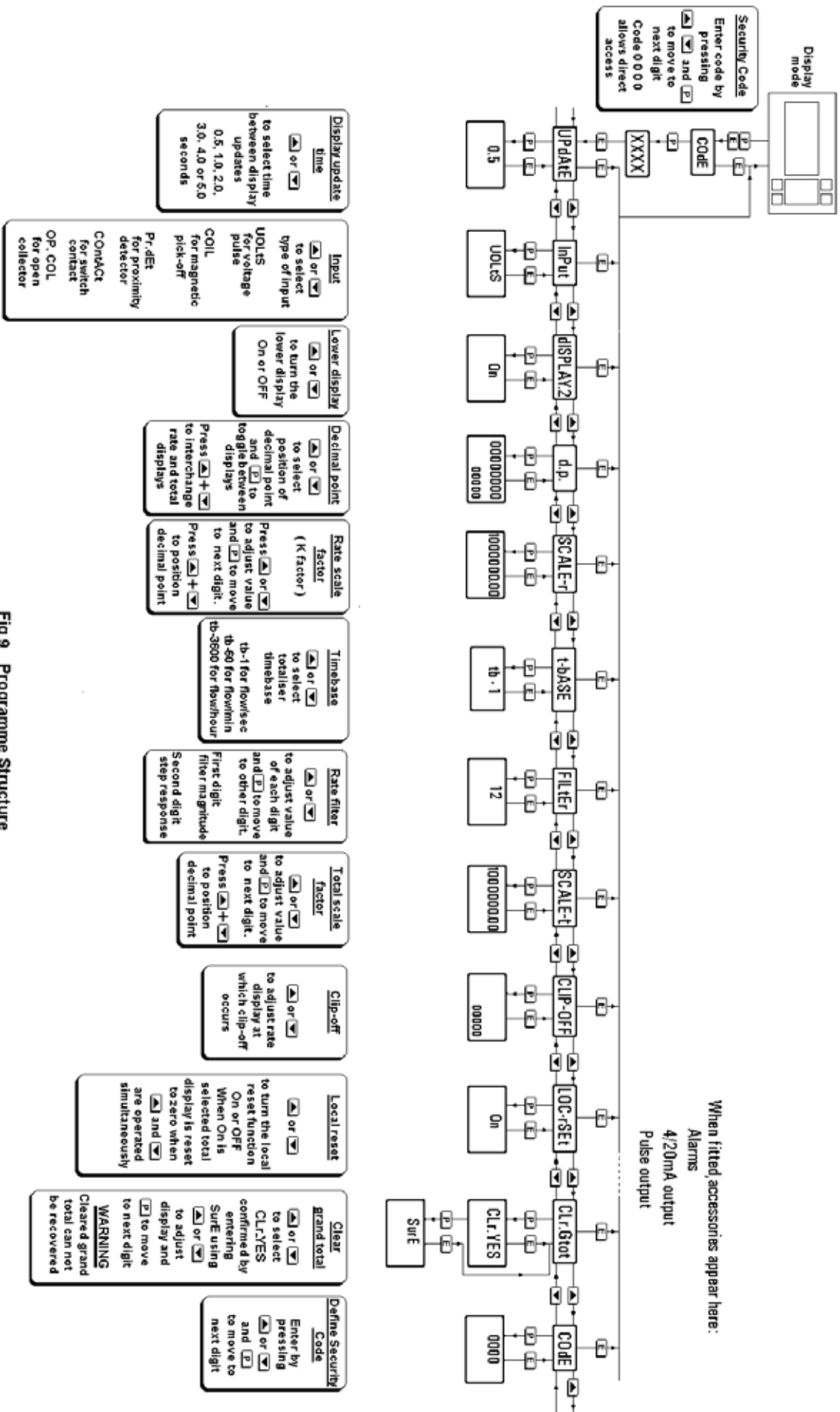


Fig 9 Programme Structure

All new BA338C rate totalisers are supplied calibrated as requested at the time of ordering. If calibration information is not supplied, the instrument will be conditioned for an open collector input, with SCALE-r and SCALE-t set to 1 and a timebase of seconds.

6.3 Summary of programmable functions

This section summarises all the programmable functions. When read in conjunction with Fig 9 it provides a quick aid for programming the instrument. If more detail is required, each section contains a reference to a full description of the function.

SUMMARY

<u>Display</u>	<u>Description of function</u>
'UpdAtE'	<p>Display update time Allows the interval between display updates to be selected. See section 6.4</p>
'InPut'	<p>Type of input Enables one of five types of input to be selected: UOLtS Voltage pulse COIL Magnetic pick-off Pr.dEt NAMUR proximity detector. COntACt Switch contact OP.COL Open collector See section 6.5</p>
'd.P.'	<p>Decimal points Defines the position of the decimal point in both the rate and total displays and enables the rate and total displays to be interchanged. See section 6.6</p>
'dISPLAY.2'	<p>Lower display Turns the lower display, which normally shows rate, on or off. See section 6.7</p>

Display Description of function

'SCALE-r' Rate Scale Factor

Defines the arithmetic relationship between the pulse input frequency and the rate display. May be adjusted between 0.001 and 99999999.

When used with a flowmeter, SCALE-r should be set to the flowmeter K factor (pulses per unit of measurement) if the display is required in the same flow units as the K factor.

See section 6.8

't-bASE' Timebase

Selectable multiplier to display flow rate in units per second, per minute or per hour..

Select:

tb-1	for flow / second
tb-60	for flow / minute
tb-3600	for flow / hour

See section 6.9

'FILtEr' Rate filter

Adjustable digital filter to reduce noise on the rate display. Two parameters each adjustable between 0 and 9.

See section 6.10

'SCALE-t' Total Scale Factor

Defines the arithmetic relationship between the number of input pulses and the total display.

May be adjusted between 0.001 and 99999999.

When used with a flowmeter SCALE-t should be set to the flowmeter K factor (pulses per unit of measurement).

See section 6.11

'CLIP-OFF' Clip off

To prevent the totalisation of very low flow rates, clip-off enables the user to select a flow rate below which totalisation is inhibited.

See section 6.12

Display **Description of function**

'LOC.rSEt' Local reset of total display

When turned 'On' the total display may be reset to zero from the display mode by simultaneously operating the *Up* and *Down* push-buttons for two seconds.

See section 6.13

'CLr. Gtot' Clears grand total

This function resets the grand total to zero when 'CLr YES' is selected, and 'SurE' is entered to confirm the instruction.

Note: Once cleared, a grand total can not be recovered.

See section 6.14

'COdE' Security code

Defines a four digit numeric code which must be entered to gain access to the programmable functions. Default code 0000 disables the security function and allows unrestricted access to all programmable functions.

See section 6.15

'UOLtS' Voltage pulse input
Threshold 1V and 3V
5kHz max.
Input terminals 3 and 4

'COIL' Low voltage pulse
Threshold 20mV peak.
5kHz max.
Input terminals 3 and 4

'Pr.dEt' NAMUR proximity detector
Threshold 1.2 and 2.1mA
5kHz max.
Input terminals 5 and 6

'COntACT' Switch contact
Threshold 100 and 1000Ω
100Hz max
Input terminals 5 and 6

'OP.COL' Open collector
Threshold 2kΩ and 10kΩ
5kHz max.
Input terminals 5 and 6

When the required type of input has been selected press *E* to return to the main menu.

Note: To count correctly, the input signal must fall below the lower switching threshold and rise above the higher switching threshold.

6.4 Display update interval: 'UpdAtE'

Six different intervals between display updates varying between 0.5 and 5 seconds may be selected. If either the rate or the total displays are likely to change rapidly, a longer interval between updates may simplify reading the instrument display. The selected update interval does not affect the update time of any other instrument function such as the optional 4/20mA output.

To define the update interval select 'UpdAtE' from the main menu and press *P* to reveal the current time. Pressing the *Up* or *Down* button will scroll through the six times. When the required interval has been selected press *E* to return to the main menu.

6.5 Type of input: 'InPut'

The BA338C may be programmed to accept pulse inputs from a wide variety of sensors. To define an input type select 'InPut' from the menu and press *P* which will reveal the current input type. Pressing *Up* or *Down* will scroll through the five options:

6.6 Position of the decimal points: 'd.P.'

The rate display can have up to six digits and the decimal point may be positioned between any of them, or omitted. Similarly, the total display has eight digits and the decimal point may be positioned between any of them, or may be omitted.

To adjust the position of either decimal point select 'd.P.' from the main menu and press *P*. This will activate both displays with one digit plus the following decimal point of the total display flashing. If only the least significant digit is flashing, this indicates that the decimal point is omitted.

The position of the decimal point can be moved by pressing the *Up* or *Down* push-button. Operating the *P* push-button will toggle control between the two displays. When both decimal points have been correctly positioned press *E* to return to the main menu.

If the application requires flow rate to be the primary display i.e. shown on the large display, the d.P. function enables the rate and total displays to be interchanged. The rate display will continue to have six digits but the total display will be reduced from eight to six digits.

The rate and total annunciators will also be interchanged. Pressing the *Up* and *Down* buttons simultaneously will interchange the displays.

Note: Both decimal points must be repositioned after the displays have been interchanged.

6.7 Lower display: 'dISPLAY.2'

This function turns the lower display on or off. When turned off, the BA338C will only have one eight digit display which may be programmed to show total flow or rate of flow.

To check the status of the lower display, select 'dISPLAY.2' from the menu and press *P* which will reveal if the function is 'On' or 'OFF'. The setting can be changed by pressing the *Up* or *Down* button followed by the *E* button to return to the main menu.

6.8 Rate scale factor: 'SCALE-r'

Together with the instrument timebase, this function defines the arithmetic relationship between the pulse input frequency and the rate display. When used with a flowmeter SCALE-r should be set to the K-factor of the flowmeter i.e. the number of pulses the flowmeter produces for a unit of flow. e.g. 45.6 pulses per litre. See section 7 for a worked example.

SCALE-r is a dividing factor that may be adjusted between 0.001 and 99999999.

To check or change the rate scale factor select 'SCALE-r' from the main menu and press *P* to reveal the existing setting, one digit will be flashing. The value of the flashing digit can be changed by pressing the *Up* or *Down* buttons. When this digit is correct pressing *P* will transfer control to the next digit.

To position the decimal point in the rate scale factor, move the flashing digit to the left hand side of the required decimal point position and simultaneously press the *Up* and *Down* buttons.

When the required rate scale factor has been entered, press *E* to store the number and return to the main menu.

6.9 Timebase: 't-bASE'

The timebase multiplies the rate display by 1, 60 or 3,600 depending upon whether the BA338C is required to display rate per second, per minute or per hour. See Fig 8.

To check or change the timebase, select 't-bASE' from the main menu and press *P* which will reveal the current setting. Pressing the *Up* or *Down* button will index through the three options:

tb-1	for flow / second
tb-60	for flow / minute
tb-3600	for flow / hour

Select the required multiplier and press *E* to return to the main menu.

6.10 Rate filter: 'FILtEr'

This digital filter has two independent adjustable parameters enabling the rate display frequency response to be tailored for optimum performance.

The filter parameters are controlled by a two digit number. The first digit defines the amount of filtering applied to the display as shown below.

First digit	Filter time constant seconds
0X	0
1X	1.3
2X	4.3
3X	6.5
4X	8.7
5X	11.3
6X	15.7
7X	20.9
8X	25.2
9X	31.5

The second digit defines the deviation from the displayed rate at which the filter will be overridden and the rate display will move rapidly to the new value.

Second digit	Magnitude of step change which will produce a rapid response
X0	Off
X1	1%
X2	2%
X3	4%
X4	8%
X5	12%
X6	16%
X7	24%
X8	32%
X9	64%

By careful adjustment of the two parameters a stable display with an acceptable step input response can be obtained for most applications.

During commissioning it is recommended that initially the second digit is set to 0 (off) and the first digit is adjusted to provide acceptable rate display stability. The second digit should then be increased until the selected step size is greater than the noise on the display signal, at which setting the rate display will again become stable. These will be the optimum filter parameters for acceptable rate display stability and a fast response to a large rate signal change.

To check or change the filter select 'FILtEr' from the main menu and press *P* to reveal the current settings. Pressing the *Up* or *Down* button will change the flashing digit and *P* will transfer control to the second digit. While making adjustments the filtered rate display is shown on the lower display so that stability can be assessed. When set as required, press the *E* button to enter the revised parameters and return to the main menu.

6.11 Total scale factor: 'SCALE-t'

This factor defines the arithmetic relationship between the number of input pulses and the total display. SCALE-t is a dividing factor that may be adjusted between 0.001 and 99999999. See Fig 8.

When used with a flowmeter SCALE-t should be set to the K-factor of the flowmeter i.e. the number of pulses the flowmeter produces for a unit of flow. If the BA338C total display is required in units different from those in which the flowmeter K factor is specified, a conversion factor will be required.

e.g. If the flowmeter has a K factor of 45.6 pulses per litre and the BA338C total display is required in units of 1,000 gallons, then SCALE-t should be set to number of pulses produced by the flowmeter per 1,000 gallons:

$$45.6 \times 4.54609 \times 1000$$

$$207,301.7 \text{ pulses per 1000 gallons}$$

(there are 4.54609 litres in a UK gallon)

To check or change the total scale factor select 'SCALE-t' from the main menu and press *P* to reveal the existing setting, one digit will be flashing. The value of the flashing digit can be changed by pressing the *Up* or *Down* buttons. When this digit is correct pressing *P* will transfer control to the next digit.

To position the decimal point in the scaling factor, move the flashing digit to the left hand side of the required decimal point position and simultaneously press the *Up* and *Down* buttons.

When the required total scale factor has been entered, press *E* to store the number and return to the main menu.

6.12 Clip-off: 'CLIP-OFF'

To prevent totalisation of very low flow rates that over long periods may result in significant totalisation errors, the BA338C may be programmed to stop totalising when the flow rate falls below an adjustable threshold.

To check or change the clip-off threshold select 'CLIP-OFF' from the main menu and press *P* which will reveal the current setting. The threshold is shown in the units already selected for the flow rate display. One digit will be flashing. The value of the flashing digit may be changed by pressing the *Up* or *Down* buttons. When this digit is correct pressing *P* will transfer control to the next digit. When clip-off is set as required, press the *E* button to enter the revised figure and return to the main programme menu.

If the flow rate falls below the entered threshold, the rate display will show zero flow, totalisation will stop and the HOLD annunciator will be activated. The flow indicator will rotate for 2 seconds each time an input pulse is received i.e. at input frequencies above 0.5Hz it will appear to rotate continuously.

Note: When the rate scale factor SCALE-r, the timebase t-bASE, or the position of the rate display decimal point are changed, clip-off will automatically be reset to zero. If required, a new clip-off threshold may then be entered.

6.13 Local reset of total display: 'LOC. rSET'

When activated this function enables the operator to reset the BA338C total display to zero in the display mode by operating the *Up* and *Down* push-buttons simultaneously for more than two seconds. To check the status of the local reset function select 'LOC.rSET' from the menu and press *P* which will reveal if the function is 'On' or 'OFF'. If necessary press the *Up* or *Down* button to change the setting, followed by the *E* button to return to the main menu.

The total display may also be remotely reset by connecting terminals 7 and 8 together for more than one second. See sections 4.2.6 and 4.3.6 of this manual.

6.14 Resetting grand total: 'CLr. Gtot'

The grand total is a separate sixteen digit counter which duplicates the total display but is not zeroed when the total display is reset to zero. The grand total may be viewed in the display mode in two eight digit sections as described in section 2.2 of this manual.

The grand total counter can only be reset to zero from the 'CLr. Gtot' function in the main programme menu. To zero the grand total counter select 'CLr. Gtot' and press *P* which will cause the instrument to display 'Clr. no' with 'no' flashing. Continuously press the *Up* or *Down* push-buttons until 'CLr. YES' is displayed and then press *P* which will result in a 'CLr 0000' prompt with one digit flashing. Using the *Up*, and *Down* buttons and the *P* button to move to the next digit, confirm the request by entering the password 'SurE'. Note 'S' is entered as '5'. Pressing *E* will then reset the grand total counter to zero and return the instrument to the 'CLr. Gtot' prompt in the main menu.

WARNING

After resetting the grand total counter to zero the old grand total can not be recovered.

6.15 Security code: 'CodE'

The calibration and conditioning of the instrument may be protected by a four digit security code which must be entered before access to the programme menu is granted. New instruments are programmed with the default security code 0000 which allows unrestricted access to all programming functions without entering a security code.

To enter a new security code select 'COdE' from the menu and press *P* which will cause the instrument to display the current security code. Each digit of the code can be changed using the *Up* and *Down* push-buttons, and the *P* button to move to the next digit. When the required code has been entered press *E* to return to the main menu. The revised security code will be activated when the indicator is returned to the display mode.

If the security code is lost, access to the programmable functions can be obtained by moving the internal security link to the override position. The original security code can then be viewed by selecting 'CodE' from the main menu and pressing *P*.

To gain access to the security code link, remove the instrument terminal block(s) by gently pulling. Remove the five screws securing the rear panel and lift off the panel to reveal the link – see Fig 10.

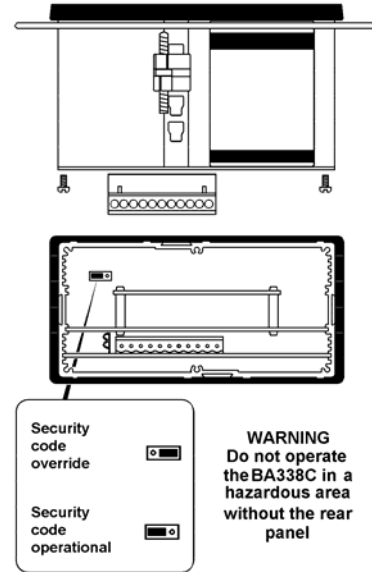


Fig 10 Location of security override link

7. CALIBRATION EXAMPLE

In this example a BA338C rate totaliser is connected to a turbine flowmeter having a K-factor of 1050.0 pulses per litre. The flowmeter has a magnetic pick-off with an output greater than 20mV peak at 5 litres per minute and a usable range of 5 to 60 litres per minute.

The BA338C is required to display rate of flow in litres per hour with a resolution of one litre and total flow in cubic metres with a resolution of 0.01 cubic metres. Totalisation is to stop when the flow rate falls below 300 litres per hour. The display is to be updated twice per second and filtering is required. In this application the operator needs to reset the total display to zero by simultaneously pushing the *Up* and *Down* push-buttons. To prevent tampering the instrument programme menu is to be protected by security code 1209

7.1 Calibration procedure

The BA338C rate totaliser may be calibrated on-site without disconnection from the power supply or from the flowmeter.

Step 1 Enter the programming mode

Put the BA338C in the programming mode by simultaneously pressing *P* and *E*. Assuming a security code has not already been entered the instrument will respond by displaying 'UPdAtE' which is the first function in the main menu. See Fig 9.

Step 2 Select the interval between display updates

With 'UPdAtE' displayed, press *P* to reveal the existing interval between display updates. If this is not as required, press the *Up* or *Down* button until '0.5' is displayed. (0.5 seconds i.e. 2 display updates per second). Enter the revised time and return to the 'UPdAtE' prompt in the main menu by pressing *E*.

Step 3 Select the type of input

Using the *Up* or *Down* button scroll through the main menu until 'InPut' is displayed, then press *P* to reveal the existing setting. Select 'COIL', the input for a magnetic pick-off, using the *Up* or *Down* button and return to the 'InPut' prompt in the main menu by pressing *E*.

Note: The BA338C has two pairs of input terminals. 3 & 4 for voltage inputs and 5 & 6 for switch contact, proximity detector or open collector inputs. Ensure that the magnetic pick-off that has a voltage output is connected to terminals 3 & 4.

Step 4 Position rate & total decimal points

Select 'd.P.' from the main menu and press *P*. The rate and total displays will be activated with one digit of the total display flashing. Press the *Up* or *Down* push-button until the third least significant digit of the total display and following decimal point are flashing. This gives the required total display resolution of 0.01

Press *P* to move control to the rate display. Using the *Up* or *Down* push-button move the flashing digit to the least significant position (right hand side) which will result in no decimal point being displayed.

Finally press *E* to return to the 'd.P.' prompt in the main menu.

Step 5 Enter the rate scaling factor

Select 'SCALE-r' from the main menu and press *P* to show the current figure. The K factor of the flowmeter in this example is 1050.0 pulses per litre which should be entered as the rate scaling factor.

Firstly to position the decimal point, operate the *P* push-button to move the flashing digit to second least significant position. Pressing the *Up* and *Down* buttons simultaneously will then position the decimal point in front of the least significant digit.

Using the *Up* and *Down* buttons to adjust each digit in turn and the *P* button to transfer control between digits, enter 1050.0. Finally return to the 'SCALE-r' prompt in the main menu by pressing *E*.

Step 6 Enter the rate timebase

Select 't-bASE' from the main menu and press *P* to show the current setting. In this example the rate display is required in litres per hour. Using the *Up* or *Down* button scroll through the three options and select 'tb-3600' which will multiply the rate display by 3600. Return to the 't-bASE' prompt in the main menu by pressing *E*.

Step 7 Adjust the rate filter

The rate display filter parameters should be adjusted experimentally after installation to provide a stable rate display with an acceptable step response.

During commissioning it is recommended that initially the second digit of the rate parameters is set to 0 (step response off) and the first digit (amount of filtering) is adjusted to provide acceptable rate display stability. The second digit should then be increased until acceptable rate display stability is once again achieved.

To adjust the filter parameters select 'FILtEr' from the main menu and press *P* to reveal the current setting. The first digit will be flashing and may be adjusted using the *Up* or *Down* button. The *P* button will transfer control to the second digit. When both are set as required, return to the 'FILtEr' prompt in the main menu by pressing *E*.

Note: While adjusting the filter, the rate is shown on the lower display so that stability can be assessed.

Step 8 Enter the total scaling factor

The K factor of the flowmeter in this example is 1050.0 pulses per litre and the total display is required in cubic metres.

There are 1000 litres in a cubic metre so the BA338C is required to display 1 cubic metre for every 1,050 x 1,000 pulses received. 'SCALE-t' should therefore be set to 1,050,000

Select 'SCALE-t' from the main menu and press *P* which will reveal the current setting with one digit flashing. To position the decimal point, operate the *P* push-button to move the flashing digit to the least significant position. Pressing the *Up* and *Down* buttons simultaneously will then remove the decimal point.

Using the *Up* and *Down* buttons to adjust each digit in turn and the *P* button to transfer control between digits, enter 1050000. Finally return to the 'SCALE-t' prompt in the main menu by pressing *E*.

Step 9 Define clip-off

In this example totalisation is to be inhibited at flow rates below 300 litres per hour.

Select 'CLIP-OFF' from the main menu and press *P* which will reveal the clip-off threshold in litres per hour i.e. the same units already selected for the rate display. The most significant digit of the display will be flashing, indicating that this digit may be adjusted. Pressing *P* five times will move the flashing digit to the third least significant digit.

Using the *Up* and *Down* buttons set the third least significant digit to 3 i.e. a clip-off threshold of 300. Finally return to the 'CLIP-OFF' prompt in the main menu by pressing *E*.

Step 10 Turn local reset on

In this example the operator needs to reset the total display to zero by pressing the *Up* and *Down* buttons simultaneously. To activate the local reset function select 'LOC.rSET' from the main menu and press *P* to display the current setting. Pressing the *Up* or *Down* button will toggle the display between 'On' and 'OFF'. Select 'On' and press *E* to return to the 'LOCrSET' prompt in the main menu.

Step 11 Reset the grand total to zero

Before completing commissioning the grand total counter should be reset to zero. Select 'CLr. Gtot' from the main menu and press *P* which will cause the instrument to display 'Clr. no'. Toggle this to 'CLr. YES' using the *Up* or *Down* push-buttons and press *P* which will result in a '0000' prompt. Using the *Up*, and *Down* buttons and the *P* button to move to the next digit, confirm the request by entering the password 'SurE'. Note: S is entered as 5. Pressing *E* will then reset the grand total counter to zero and return the instrument to the 'CLr. Gtot' prompt in the main menu.

Step 12 Define the security code

Defining a security code prevents unauthorised access to the programme functions. Select 'COdE' from the main menu and press *P* which will reveal the existing security code. Using the *Up* and *Down* buttons enter the new code 1209 digit by digit. The *P* button will transfer control between digits. When the new code has been entered, press *E* to return to the main programme menu.

Step 13 Return to the display mode

Following completion of programming and calibration, return the BA338C to the operating mode by pressing *E*. All the programming functions will now be stored in permanent memory and will be protected from accidental or unauthorised adjustment by the security code.

8. MAINTENANCE

8.1 Fault finding during commissioning

If a BA338C fails to function during commissioning the following procedure should be followed:

Symptom	Cause	Check:
No display	Incorrect wiring Note: Terminals 2, 4, 6 & 8 are interconnected within the BA338C	That there is between 10 and 28V on terminals 1 & 2 with terminal 1 positive.
Flow indicator not rotating	No input pulses, incorrect input terminals used, or incorrect type of input selected	That BA338C has been calibrated for the correct input. That input signal polarity is correct.
Flow indicator rotating but incorrect rate display	Incorrect calibration Input below clip-off threshold	That rate scale factor and timebase are correctly programmed. Clip-off threshold is set correctly.
Unstable rate display	Noisy pulse input signal	Source of electrical noise and try to eliminate or increase rate filter.
Correct rate display but incorrect total display	Incorrect calibration Remote reset switch contacts closed	That total scale factor is correctly programmed. That 'RESET' annunciator is not activated. If it is, check reset wiring and switch.
Unable to enter programme mode	Incorrect security code	That the correct security code is being used, or fit security link in override position. See Fig 10
Clip-off does not function and 4/20mA output is constantly 3.5mA	Clip-off & 4/20mA have been automatically reset to zero following change of rate display calibration	Re-enter required clip-off and 4/20mA output calibration.
Alarms do not function	Alarms have been disabled following calibration change	Re-enable both alarms.

8.2 Fault finding after commissioning

ENSURE PLANT SAFETY BEFORE STARTING MAINTENANCE

Live maintenance is permitted on intrinsically safe equipment installed in a hazardous area, but only certified test equipment should be used unless a gas clearance certificate is available.

If a BA338C fails after it has been functioning correctly, the following table may help to identify the cause of the failure.

Symptom	Cause	Check:
No display	No power supply.	That there is between 10 and 28V on terminals 1 & 2.
Flow indicator not rotating	No input pulses	Output from flowmeter Wiring between flowmeter and BA338C
Flow indicator rotating, but rate display indicates zero and there is no totalisation	Input below clip-off threshold	Clip-off threshold and if necessary adjust.
Unstable rate display	Noisy pulse input signal	Source of electrical noise and try to eliminate, or increase rate filter.

If this procedure does not reveal the cause of the fault, it is recommended that the instrument is replaced.

8.3 Servicing

We recommend that faulty BA338C rate totalisers are returned to BEKA associates or to our local agent for repair.

8.4 Routine maintenance

The mechanical and electrical condition of the instrument should be regularly checked. Initially annual inspections are recommended, but the inspection frequency should be adjusted to suit the environmental conditions.

8.5 Guarantee

Instruments which fail within the guarantee period should be returned to BEKA associates or our local agent. It is helpful if a brief description of the fault symptoms is provided.

8.6 Customer comments

BEKA associates is always pleased to receive comments from customers about our products and services. All communications are acknowledged and whenever possible, suggestions are implemented.

9. ACCESSORIES

9.1 Scale card

The BA338C has a window on the right hand side of the display to hold a card showing the units of measurement e.g. Litres, Gallons, M³. Instruments can be supplied with a printed scale card showing any units specified at the time of ordering. If a printed card is not requested, a blank card will be supplied.

Scale cards can easily be marked on-site as follows:

- Remove the rear terminal block(s) and the rear panel as shown in Fig 10.
- Carefully pull the rate totaliser assembly from the enclosure.
- Gently pull and then slide the blank scale card towards the display window until the card is free. Mark the card with the required legend and replace in the slot.
- Reassemble the instrument.

9.2 Tag number

The BA338C can be supplied with a thermally printed tag number on the rear panel. This tag number is not visible from the front of the instrument after installation.

9.3 Alarms

The BA338C can be supplied with two solid state single pole outputs which may be independently programmed as high or low, rate or total alarms with normally open or normally closed outputs.

WARNING

These alarm outputs should not be used for critical safety applications such as a shut down system.

When the BA338C power supply is turned off or disconnected, both BA338C alarm outputs will open irrespective of whether normally open or normally closed outputs have been selected. When designing a system an open output should therefore be the alarm condition.

Alarm annunciators on the instrument display indicate the status of both alarms. If an alarm delay or silence time has been selected the annunciator will flash during the delay or silence period.

Programmable functions for each alarm include adjustable setpoint, alarm delay time and alarm silence time. Hysteresis may be applied to rate alarms.

The BA338C total display is up-dated and compared with the programmed alarm setpoint twice per second, irrespective of the display update time selected. This may result in the total alarm being delayed for up to half a second after the total has exceeded the setpoint.

9.3.1 Solid state output

Each alarm has a galvanically isolated single pole solid state switch output as shown in Fig 11. The outputs are polarised and current will only flow in one direction. Terminals A1 and A3 should be connected to the positive side of the supply.

$$\begin{aligned} R_{on} &= 5\Omega + 0.6V \\ R_{off} &= \text{greater than } 180k \end{aligned}$$

Note: Because of the series protection diode some test meters may not detect a closed alarm output

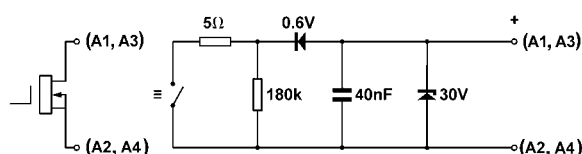


Fig 11 Equivalent circuit of each alarm output

9.3.2 Intrinsic safety

Each of the two alarm outputs is a separate galvanically isolated solid state switch. The EC-Type Examination Certificate specifies that under fault conditions the voltage, current and power at each alarm output will not exceed those specified for *simple apparatus* in Clause 5.4 of EN50020:1994. This allows each of the BA338C alarm outputs to be connected to any intrinsically safe circuit protected by a certified Zener barrier or galvanic isolator providing that the output parameters of each circuit do not exceed:

$$\begin{aligned} U_o &= 28V \text{ dc} \\ I_o &= 200mA \\ P_o &= 0.85W \end{aligned}$$

No system certificate has been issued for the BA338C alarm outputs, as the system certificate for the circuit to which the alarms are connected remains valid.

The maximum equivalent capacitance and inductance of each BA338C alarm output is:

$$\begin{aligned} C &= 40\text{nF} \\ L &= 30\mu\text{H} \end{aligned}$$

To determine the maximum permissible cable parameters, the equivalent alarm output parameters must be subtracted from the maximum cable capacitance and inductance specified by the system certificate of the circuit connected to each alarm.

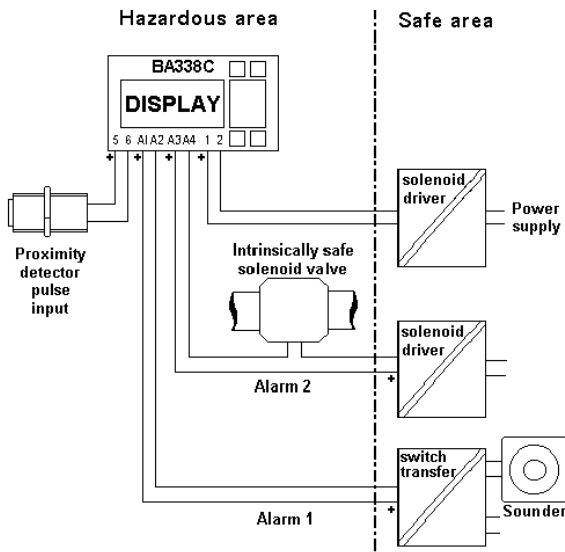


Fig 12 Typical alarm application

9.3.3 Programming and adjustment

When a BA338C is supplied with alarms the main programme menu is extended as shown in Fig 13. The two alarm functions appear between the 'LOC-rSEt' and the 'CLr.Gtot' functions, and each alarm may be programmed as a rate or a total alarm.

For simplicity Fig 13 only shows the programmable functions on the rate option of alarm AL1. Alarm 2 and the total options are identical except that the total alarms do not have hysteresis.

The following table summarises each of the alarm programme functions and includes a cross reference to more detailed information. Again only the functions on alarm AL1 are listed.

Summary of programmable alarm functions

<u>Display</u>	<u>Description of function</u>
'EnbL'	Alarm enable Enables or disables the alarm function without changing the alarm parameters. See section 9.3.4
'tYPE'	Type of alarm Defines whether the alarm operates on the rate or total display. See section 9.3.5
'SPr1' or 'SPt1'	Alarm setpoint 1 Adjusts the alarm setpoint. The alarm is activated when the rate or total display equals the setpoint. Note: 'SPr1' is displayed for a rate alarm and 'SPt1' for a total alarm. See section 9.3.6
'HI.LO'	Alarm function Defines whether the alarm has a high or low function. See section 9.3.7
'no.nc'	Normally open or normally closed output Determines whether the single pole alarm output is open or closed in the non-alarm condition. See section 9.3.8
'HStr'	Hysteresis Adjusts the alarm hysteresis. Only available on rate alarms. See section 9.3.9
'dELA'	Alarm delay time Adjusts the delay between the display equalling the setpoint and the alarm output being activated. See section 9.3.10
'SIL'	Alarm silence time Defines the time that the alarm output remains in the non-alarm condition following acceptance of an alarm. See section 9.3.11
'AcSP'	Access setpoint Sub-menu that enables direct access to the alarm setpoints from the display mode and defines a separate security code. See section 9.3.12

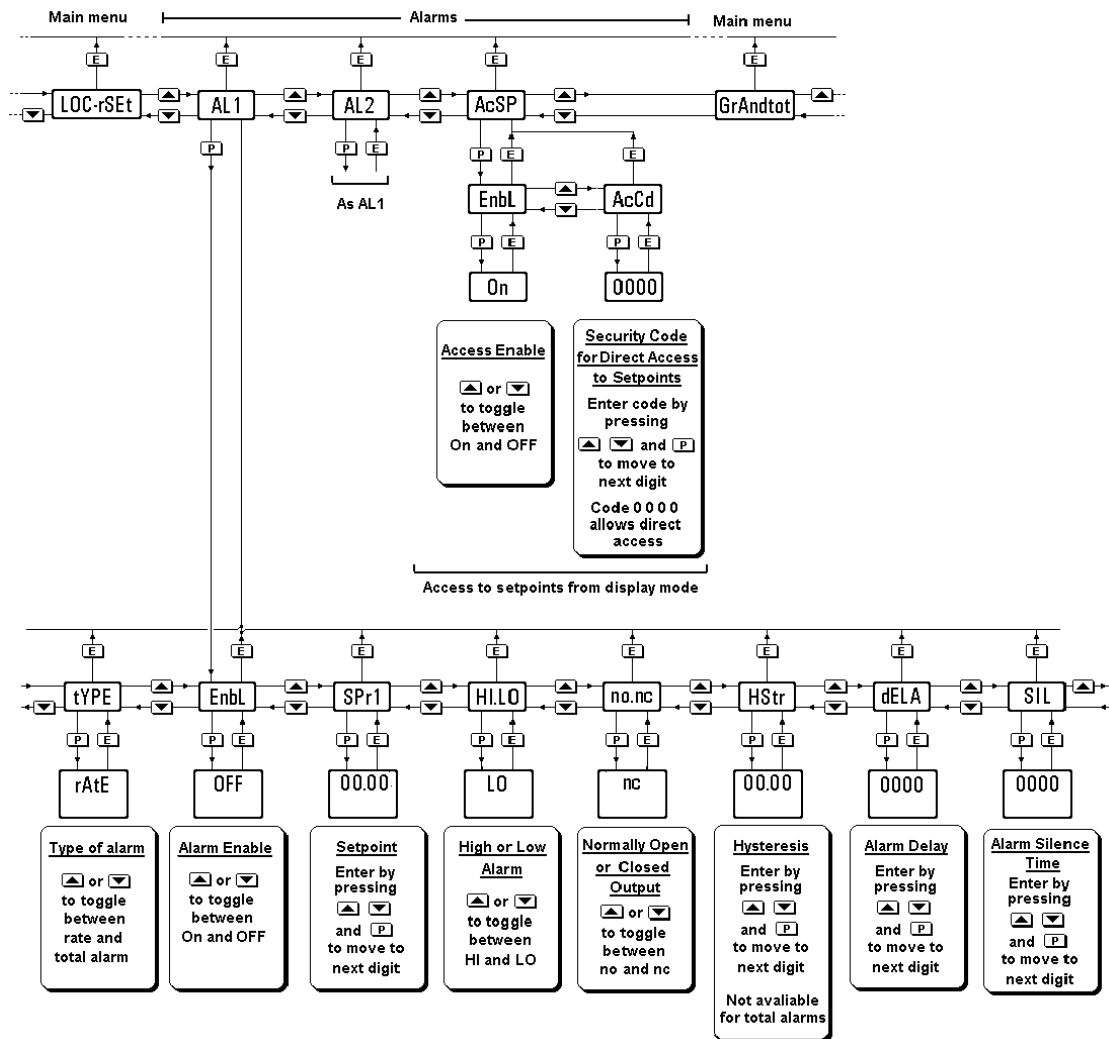


Fig 13 Alarm menu structure

9.3.4 Alarm enable: ‘EnbL’

This function allows the alarm to be enabled or disabled without altering any of the alarm parameters. To check or change the function select 'EnbL' from the alarm menu and press *P* which will reveal the current setting. The function can be changed by pressing the *Up* or *Down* button followed by the *E* button to return to the alarm menu.

Note: The alarms will be automatically disabled after the rate or total displays have been recalibrated, or the alarm type has been changed. Both alarms must therefore be enabled after calibration changes.

9.3.5 Type of alarm: ‘tYPE’

Alarm 1 and Alarm 2 may both be rate or total alarms, or one may be conditioned for rate and the other for total.

To check or change the type of alarm, select 'tYPE' from the alarm menu and press *P* which will reveal the current setting. The function can be changed by pressing the *Up* or *Down* button followed by the *E* button to return to the alarm menu.

Note: When 'tYPE' is changed, the alarm parameters are automatically set to the default values and the alarm is disabled. It must therefore be reprogrammed before use.

9.3.6 Setpoint adjustment: 'SPx1' and 'SPx2'

The rate alarm setpoints SP_{r1} and SP_{r2} may be positioned anywhere between 0 and 999999, and the total alarm setpoint SP_{t1} and SP_{t2} anywhere between 00000000 and 99999999.

To adjust the setpoint of alarm 1 select 'SP_{r1}' or 'SP_{t1}', depending upon how it has been programmed, from the alarm menu. Press *P* which will reveal the existing value with one digit flashing. Each digit of the setpoint can be adjusted using the *Up* and *Down* push-buttons, and the *P* button to move to the next digit. The position of the decimal point is defined by the d.P. function which should be set first. When the required value has been entered press *E* to return to the alarm menu.

Note: 'SP_{r1}' is displayed when alarm 1 has been programmed as a rate alarm and 'SP_{t1}' when programmed as a total alarm.

9.3.7 Alarm function: 'HI.LO'

Each alarm must be conditioned as a high or low alarm. To check or change the alarm function select 'HI.LO' from the alarm menu and press *P* to reveal the current setting. The function can be changed by pressing the *Up* or *Down* buttons followed by the *E* button to return to the alarm menu.

9.3.8 Alarm output status: 'no.nc'

The two alarm outputs may be open or closed in the non-alarm condition. When the BA338C power supply is turned off or disconnected, both the alarm outputs will open irrespective of whether normally open or normally closed outputs have been selected. Therefore, when designing an alarm system normally closed 'nc' should be selected so that the output opens when an alarm occurs or if the power supply fails.

To check the alarm output status select 'no.nc' from the alarm menu and press *P* to reveal the current setting. The function can be changed by pressing the *Up* or *Down* button followed by the *E* button to return to the alarm menu.

9.3.9 Hysteresis: 'HStr'

Hysteresis is only available on rate alarms. During programming hysteresis is shown in the units of rate the BA338C has been calibrated to display.

To adjust the hysteresis, select 'HStr' from the alarm menu and press *P* which will reveal the existing figure. Each digit can be adjusted using the *Up* and *Down* push-buttons, and the *P* button to move to the next digit. When the required hysteresis has been entered, press *E* to return to the alarm menu.

e.g. A BA338C calibrated to display a flow of 0 to 5000, with a high alarm set at 4000 and hysteresis of 100 will perform as follows:

High alarm will be activated when flow equals or exceeds 4000, but will not reset until the flow falls below 3900.

9.3.10 Alarm delay: 'dELA'

This function enables activation of the alarm output to be delayed for a fixed time following the alarm condition occurring. The delay can be programmed in 1 second increments up to 3600 seconds. If a delay is not required zero should be entered. To adjust the delay select 'dELA' from the alarm menu and press *P* which will reveal the existing delay time. Each digit of the delay can be adjusted using the *Up* and *Down* push-buttons, and the *P* button to move to the next digit. When the required delay has been entered, press *E* to return to the alarm menu.

The alarm annunciator will start flashing immediately an alarm occurs and continue for the delay time after which the alarm output will be activated.

9.3.11 Alarm silence time: 'SIL'

The alarm silence function is primarily intended for use in small installations where the alarm output directly operates an annunciator such as a sounder. When the alarm silence time is set to any figure other than zero, the *P* push-button becomes an alarm accept button.

After an alarm has occurred, operating the *P* button will cause the alarm output to revert to the non-alarm condition for the programmed alarm silence time. When an alarm is silenced the alarm annunciator will flash until the silence time expires.

To adjust the silence time select 'SIL' from the alarm menu and press *P* which will reveal the existing time. The time may be adjusted to between 0 and 3600 seconds in 1 second increments. Each digit can be adjusted using the *Up* and *Down* push-buttons, and the *P* button transfers control to the next digit. When the required time has been entered press *E* to return to the alarm menu.

9.3.12 Access Setpoint: 'AcSP'

This function activates a separate menu that provides direct access to the alarm setpoints when the instrument is in the display mode. See section 9.3.13 for a full description. An operator may therefore adjust the alarm setpoints without having access to the programme and alarm menus. Further protection is provided by a separate security code.

This direct access menu may be enabled and a separate security code entered from the 'AcSP' function in the main programme menu as shown in Fig 13. To change the menu parameters select 'AcSP' from the programme menu and press *P*. This will display the enable prompt 'EnbL'.

Press *P* again to reveal if the direct access menu is 'On' or 'OFF'. The *Up* or *Down* buttons will toggle the display between the two conditions.

If 'OFF' is selected, the operator will not have access to the setpoints from the display mode. Return to the 'AcSP' prompt in the main menu by pressing *E* twice.

If 'On' is selected, the operator will have direct access to the alarm setpoints from the display mode via a separate optional security code. To define this four digit numeric code press *E* to return to the 'EnbL' prompt followed by the *Up* or *Down* button to select the access code prompt 'AcCd'. Pressing *P* will then reveal the current security code. The flashing digit of the code may be changed by operating the *Up* or *Down* push-buttons and pressing the *P* button will transfer control to the next digit. When the required code has been entered, press *E* twice to return to the 'AcSP' prompt in the programme menu.

Entering code 0000 will disable the security code allowing direct access to the setpoints in the display mode by pressing the *P* and *Up* buttons simultaneously.

New instruments with alarms are supplied with the security code set to 0000

9.3.13 Adjusting alarm setpoints from the display mode

Access to the two alarm setpoints from the indicator display mode is obtained by operating the *P* and *Up* push-buttons simultaneously as shown in Fig 14. If the setpoints are not protected by a security code the alarm setpoint prompt 'SPr1' or 'SPt1' will be displayed depending upon whether a rate or total alarm has been programmed. If the setpoints are protected by a security code, 'COde' will be displayed first. Pressing *P* again will enable the alarm security code to be entered digit by digit using the *Up* and *Down* buttons to change the

flashing digit and the *P* push-button to move control to the next digit. If the correct code is entered pressing *E* will then cause alarm setpoint prompt 'SPx1' to be displayed. If an incorrect security code is entered, or a button is not pressed within ten seconds, the instrument will automatically return to the display mode.

Once within the menu pressing the *Up* or *Down* buttons will toggle the display between the two alarm setpoint prompts 'SPx1' and 'SPx2'.

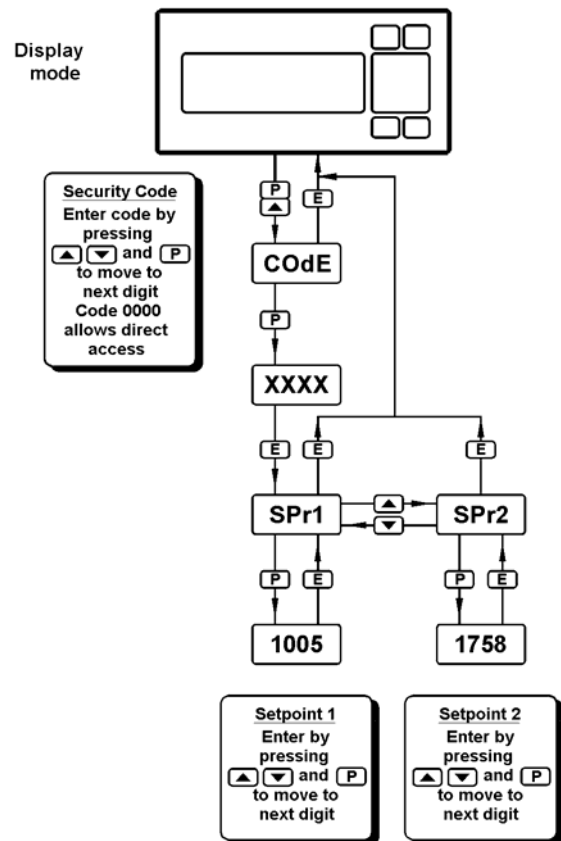


Fig 14 Setpoint adjustment from the display mode

To adjust an alarm setpoint select 'SPx1' or 'SPx2' and press *P* which will reveal the current setting. Each digit of the setpoint may be adjusted using the *Up* and *Down* push-buttons, and the *P* button to move control to the next digit. When the required setpoint has been entered, pressing *E* will return the display to the 'SPx1' or 'SPx2' prompt from which the other setpoint may be selected, or the indicator may be returned to the display mode by pressing *E* again.

Note: Direct access to the alarm setpoints is only available when the menu is enabled - see section 9.3.12

9.4 Display backlight

The BA338C can be supplied with LED backlighting to improve display contrast when the instrument is installed in a poorly illuminated area. The backlight is segregated from the measuring circuit and has been certified as a separate intrinsically safe circuit. System certificates for use with Zener barriers and galvanic isolators have therefore been issued.

The backlight must be powered from the safe area via a Zener barrier or a galvanic isolator as shown in Fig 15. Any certified Zener barrier may be used, providing the output parameters do not exceed:

- Uo = 28V dc
- Io = 159mA
- Po = 0.8W

- Ci = 40nF
- Li = 30µH

Alternatively a galvanic isolator may be used in place of the barrier. For UK installations only the galvanic isolators specified on the system certificate should be used.

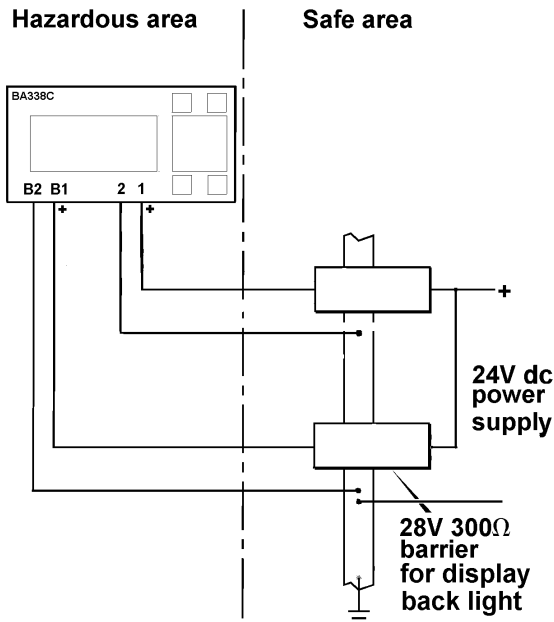


Fig 15 Backlight powered by Zener barrier

The display brilliance depends upon the current flowing through the backlight. This is determined by the supply voltage and the end-to-end resistance of the Zener barrier or output resistance of the galvanic isolator. Brilliance will not be significantly reduced until the current falls below 20mA.

$$\text{Backlight current} = \frac{V_{\text{supply}} - 18}{\text{End-to-end resistance of barrier\#}}$$

or output resistance of galvanic isolator

9.5 Pulse output

The BA338C may be supplied with an opto-isolated solid state pulse output. The output is a polarised current sink that closes for a programmable duration each time the least significant digit of the BA338C display changes. A programmable divider enables the pulse output frequency to be reduced by 10, 100, 1,000 or 10,000. See Fig 17.

- Ron = 60Ω + 3V
- Roff = 1M
- Isink max = 10mA

The output pulse is non-synchronous and the maximum pulse frequency is determined by the programmed pulse width.

$$\text{Max frequency} = \frac{1}{2 \times (\text{pulse duration})} \text{ Hz}$$

If the instrument power supply fails or is disconnected, any untransmitted output pulses will be lost.

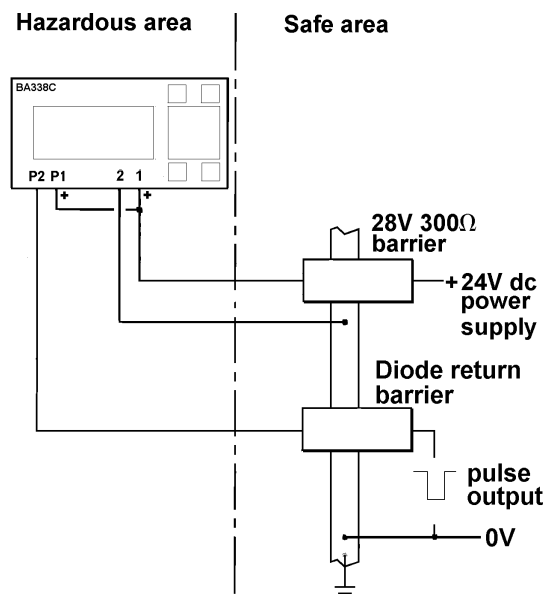


Fig 16 Application of pulse output

The pulse output will sink up to 10mA. When closed the voltage between the pulse output terminals P1 & P2 will be less than 3V when switching 5mA.

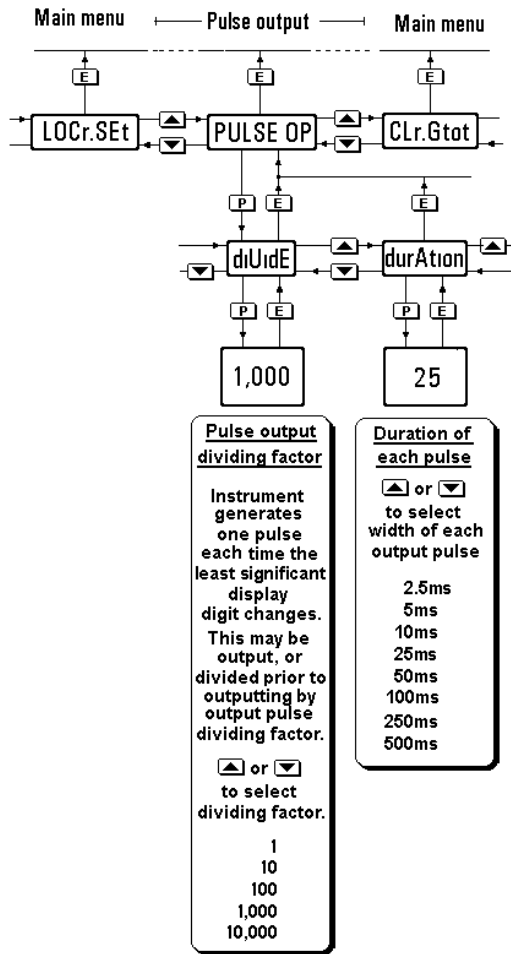


Fig 17 Pulse output menu

9.5.1 Intrinsic safety

The pulse output is an optically isolated separate intrinsically safe circuit that has zero output safety parameters. The output therefore complies with the requirements for *simple apparatus*. This allows terminals P1 and P2 to be connected to any intrinsically safe circuit protected by a certified Zener barrier or galvanic isolator providing the output parameters do not exceed:

$$U_o = 28V \text{ dc}$$

$$I_o = 100mA$$

$$P_o = 0.7W$$

The maximum equivalent capacitance and inductance of the BA338C pulse output is:

$$C_i = 20nF$$

$$L_i = 20\mu H$$

To determine the maximum permissible cable parameters, these figures should be subtracted from the maximum cable capacitance and inductance specified by the system certificate of the circuit connected to the BA338C. Fig 16 shows how the pulse output circuit may be powered from the BA338C supply to drive a counter in the safe area via a diode return barrier.

9.6 4/20mA output

The optional 4/20mA output may be programmed to produce an analogue output proportional to the whole or part of the rate display. The output is a current sink which requires between 5 and 28V to function as shown in Fig 18.

9.6.1 Intrinsic safety

The 4/20mA output has been certified as a separate intrinsically safe circuit complying with the requirements for *simple apparatus*. This allows terminals C1 and C2 to be connected to any intrinsically safe circuit protected by a certified Zener barrier or galvanic isolator providing the output parameters do not exceed:

$$U_o = 28V \text{ dc}$$

$$I_o = 100mA$$

$$P_o = 0.7W$$

No system certificate has been issued for this output as the system certificate for the circuit to which it is connected remains valid.

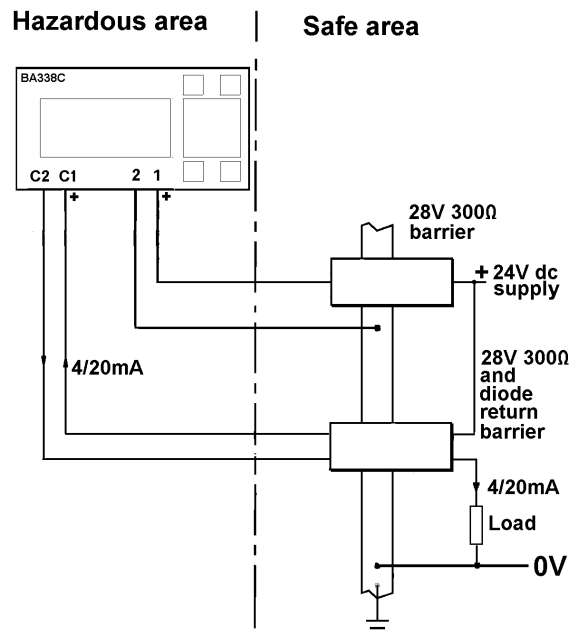


Fig 18 Application of 4/20mA output

The maximum equivalent capacitance and inductance of the optional 4/20mA output is:

$$\begin{aligned} C_i &= 2\text{nF} \\ L_i &= 8\mu\text{H} \end{aligned}$$

To determine the maximum permissible cable parameters, these figures must be subtracted from the maximum cable capacitance and inductance specified by the system certificate of the circuit connected to the BA338C 4/20mA output – usually a Zener barrier or galvanic isolator.

9.6.2 Programming and adjustment

The main programme menu is extended as shown in Fig 19 to accommodate the 4/20mA calibration functions.

The '4-20 OP' programme function allows the 4/20mA output current to correspond to any rate display. e.g. 4mA could represent 10 litres/minute and 20mA 100 litres/minute.

To calibrate the 4/20mA output current, enter the programme mode by operating the *P* and *E* push-buttons simultaneously. If the instrument is not protected by a security code the first parameter 'UPdAtE' will be displayed. Enter the security code if the instrument is protected.

Using the *Up* or *Down* push button select the function '4-20 OP' and press *P* which will result in the BA338C displaying '4.000' which is the prompt for setting the rate display corresponding to an output current of 4.000mA. Pressing *P* will reveal the existing setting with the most significant digit flashing. The decimal point will be fixed in the position already defined for the rate display by the 'd.P' function. The value of the flashing digit may be changed by pressing the *Up* or *Down* buttons. When this digit is set as required, pressing *P* will transfer control to the next digit.

When the flow rate corresponding to an output current will be 4mA has been entered, press the *E* button to return to the '4.000' prompt.

To enter the rate display corresponding to an output current will be 20.000mA, press the *Up* or *Down* button to select the '20.000' prompt followed by *P* to reveal the current setting. This may be changed in the same way as the 4mA setting. When set as required, press *E* three times to return to the display mode via the '20.000' and '4-20 OP' prompts.

The 4/20mA output may be calibrated to increase or decrease as the rate display increases, and most instruments will produce a linear output between 3.5 and 22mA.

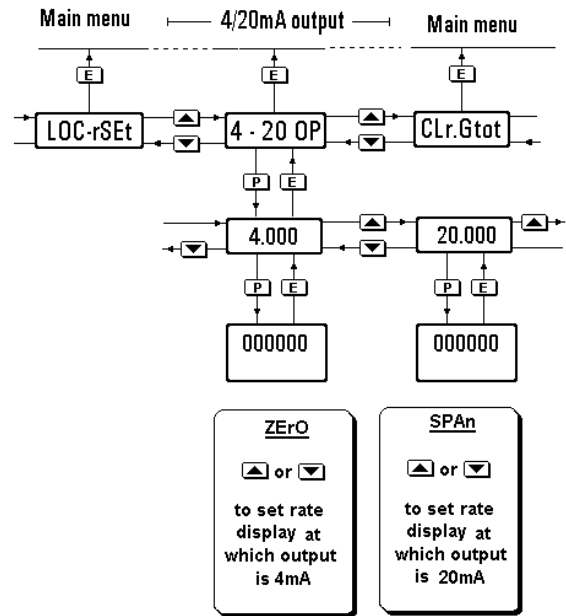


Fig 19 4/20mA output programme structure

Note 1: If the rate display calibration is changed by adjusting the rate scale factor SCALE-r, the timebase t-BASE, or the position of the rate display decimal point, the 4/20mA output will automatically be set to give a constant 3.5mA output irrespective of the rate display. The 4/20mA output must therefore always be recalibrated following recalibration of the rate display.

Note 2: If the BA338C and the 4/20mA current sink output are powered from separate supplies, the 4/20mA output current will continue to flow when the BA338C supply fails or is turned off. Powering both from a common supply as shown in Fig 18 eliminates this effect.

10. INDEX

Subject	Section	Subject	Section
'AcSP'	9.3.3; 9.3.12	'InPut'	6.5
Alarms optional	9.3	Installation	5.2
access	9.3.3; 9.3.12	Intrinsic safety	1; 3; 9.5.1 9.6.1
contacts	9.3.3; 9.3.8		
delay time	9.3.3; 9.3.10	'LOC.rSEt'	6.13
enable	9.3.3; 9.3.4	Local reset	6.13
function	9.3.3; 9.3.7	Location	5.1
hysteresis	9.3.3; 9.3.9		
programming	9.3.3	Maintenance	8
setpoint	9.3.3; 9.3.6	routine	8.4
silence time	9.3.3; 9.3.11		
solid state output	9.3.1	'no.nc'	9.3.3; 9.3.8
type	9.3.3; 9.3.5	Notified Body	1
ATEX Directive	3.1; 3.5; 3.6		
		Output	
Backlight optional	9.4	Pulse	9.5
		4/20mA	9.6
Calibration		Push-buttons	
structure	6.1; Fig 9	<i>Down</i>	2.2
programme access	6.2	<i>E</i>	2.2
example	7	<i>P</i>	2.2; 9.3.11
Certificates		<i>Up</i>	2.2
EC-Type Examination	3.1		
system	4.1	Rate	
'CLIP-OFF'	6.12	display	2.3
Clipoff	6.12	scale factor	6.8
'CodE'	6.15	filter	6.9
		Reset	3.4
Decimal points	6.6	local	6.13
'dELA'	9.3.3; 9.3.10	remote	3.4; 4.3.6
Display	2.3		
backlight	9.4	Scale card	9.1
exchange rate & total	6.6	'SCALE-r'	6.8
lower	6.7	'SCALE-t'	6.11
update time	6.4	Security code	6.15
'dISPLAY.2'	6.7	Servicing	8.3
'd.P.'	6.6	'SIL'	9.3.3; 9.3.11
		'SPxx'	9.3.3; 9.3.6
'EnbL'	9.3.3; 9.3.4		
Fault finding		't-bASE'	6.9
during commissioning	8.1	T rating	3.5
after commissioning	8.2	Terminal numbers	Fig 7
'FILtEr'	6.10	Timebase	6.9
Flow indicator	2.3	Total	
FM Approval	Appendix 1	display	2.3
		scale factor	6.11
Galvanic isolators	4.3	'tYPE'	9.3.3; 9.3.5
Gas groups	3.5	Type of input	6.5
Grand total	2.2		
clear	6.14	'UpdAtE'	6.4
Guarantee	8.5		
		Zener barriers	4.2
'HI.LO'	9.3.3; 9.3.7	Zones	3.5
'HStr'	9.3.3; 9.3.9		

Appendix 1 FM approval for use in USA

A1.0 Factory Mutual Approval

For installations in the USA, the BA338C and accessories have also been approved intrinsically safe and nonincendive by FM Approvals, project identification 3022309. Copies of the Certificate of Compliance are available from the BEKA associates sales office and from the BEKA web site www.beka.co.uk.

A1.1 Intrinsic safety approval

The BA338C is approved to the FM Class 3610 intrinsic safety standard. Installations must comply with BEKA associates Control Drawing CI330-32, which is attached to this Appendix, ANSI/ISA RP12.06.01 'Installation of Intrinsically Safe Systems for Hazardous (Classified) Locations' and with the National Electrical Code ANSI/NFPA70.

The BA338C has a T4 rating at ambient temperatures between -20°C and $+60^{\circ}\text{C}$ and may be used with the following gases:

Intrinsic Safety	
Division 1 or 2	
Class I	Group A & B Group C Group D
Zone 0, 1 or 2	
Class 1	Group IIC Group IIB Group IIA

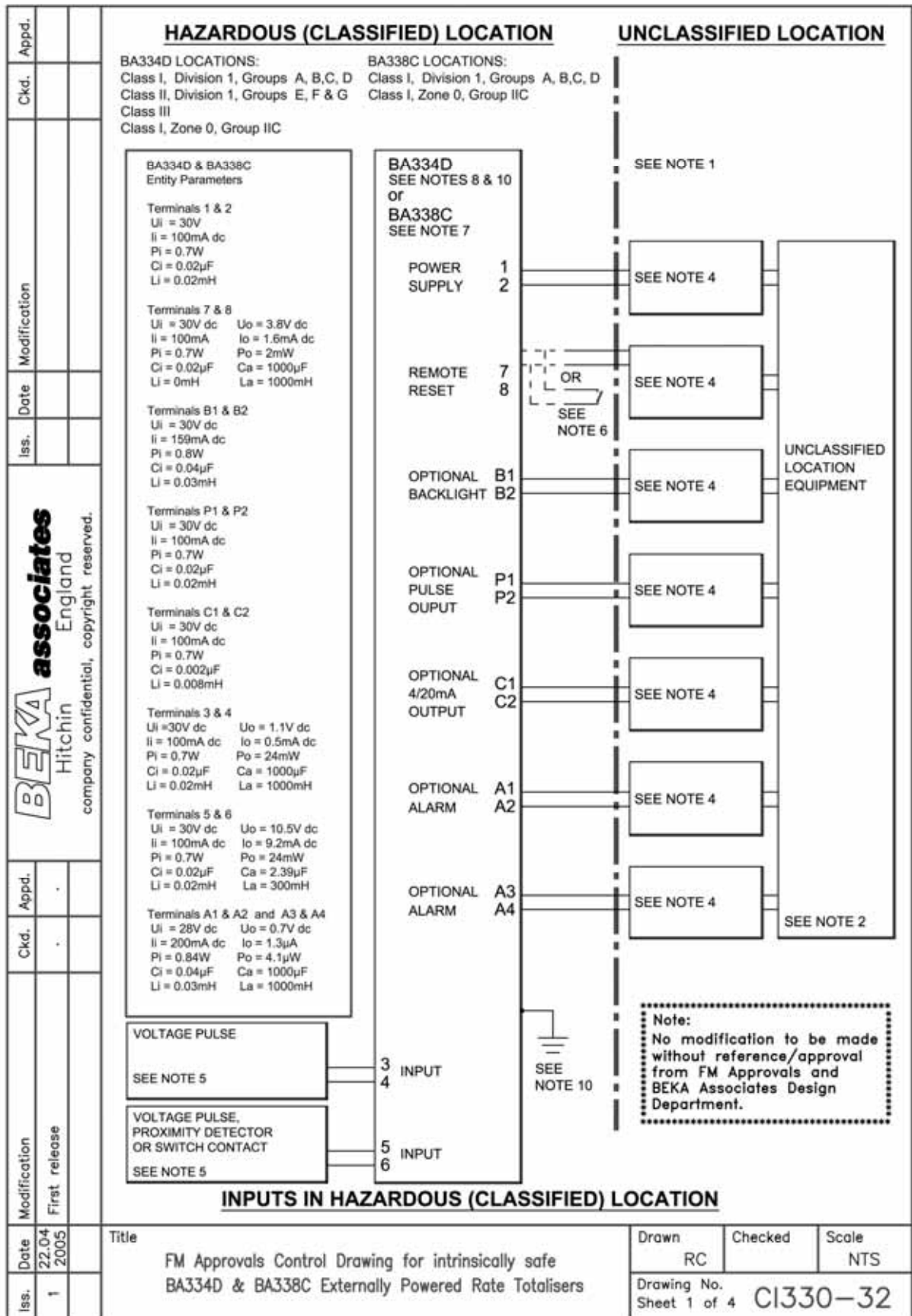
The FM entity parameters are similar to the ATEX parameters. The intrinsically safe circuits shown in this manual may therefore be used for installations in the USA, providing the Zener barriers and galvanic isolators are FM Approved and comply with BEKA associates Control Drawing CI330-32.

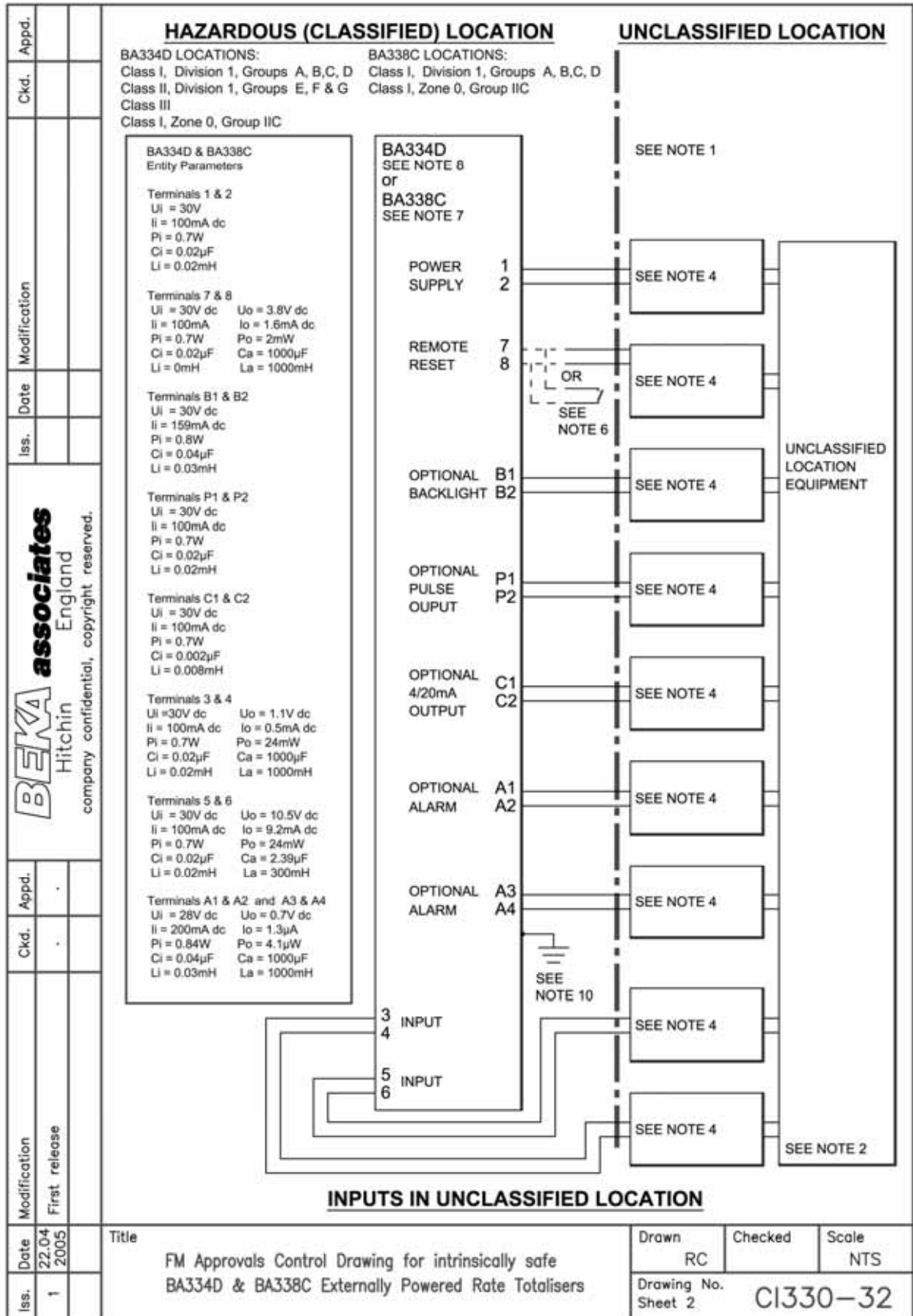
A1.2 Nonincendive approval

The BA338C is Class 3611 nonincendive approved by Factory Mutual allowing it to be installed in Division 2 Classified Areas without the need for Zener barriers or galvanic isolators. Installations must comply with the BEKA associates Control Drawing CI330-34, which is attached to this Appendix, and with the National Electrical Code ANSI/NFPA70.


The BA338C has a T4 rating at ambient temperatures up to $+60^{\circ}\text{C}$ and may be used with the following gases:

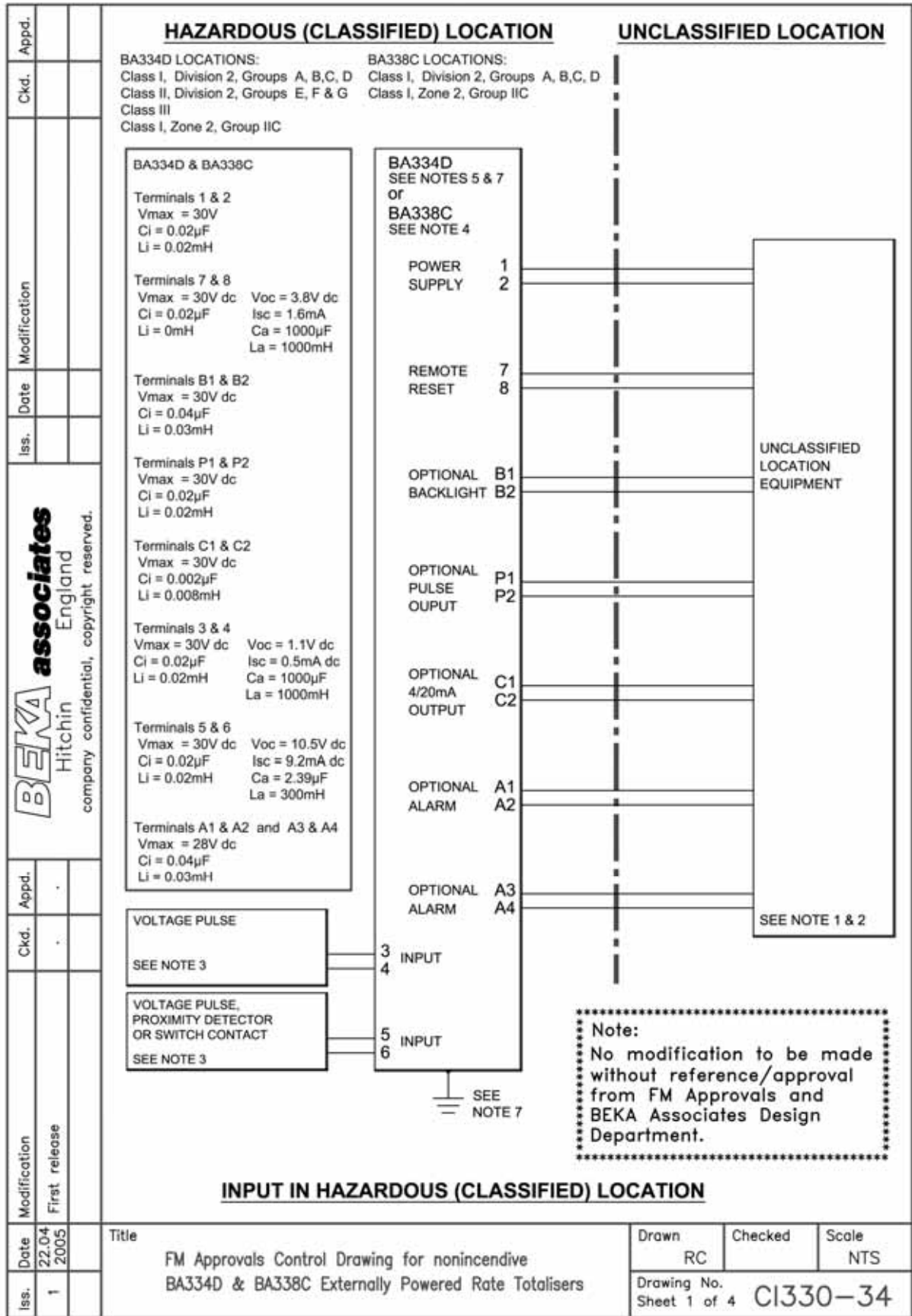
Nonincendive	
Division 2	
Class I	Group A & B Group C Group D
Zone 2	
Class I	Group IIC Group IIB Group IIA





Iss.		Date		Modification		Ckd.		Appd.																												
1		22.04.2005		First release																																
<p style="text-align: center;">BEKA associates Hitчин England company confidential, copyright reserved.</p>																																				
<p>Notes:</p> <p>1. The associated intrinsically safe barriers or galvanic isolators must be FM approved and the manufacturers' installation drawings must be followed when installing this equipment.</p> <p>2. The unclassified location equipment connected to the associated intrinsically safe barriers must not use or generate more than 250V rms or 250V dc.</p> <p>3. Installation should be in accordance with ANSI/ISA RP 12.06.01 "Installation of Intrinsically Safe Systems for Hazardous (Classified) Locations" and the National Electrical Code ANSI/NFPA 70.</p> <p>4. One single channel or one channel of a dual channel barrier or galvanic isolator with entity parameters complying with the following requirements:</p> <table style="margin-left: 40px; border: none;"> <tr> <td style="padding-right: 20px;">Uo or Vt</td> <td style="padding-right: 20px;">equal to or less than</td> <td>Ui</td> </tr> <tr> <td>Io or It</td> <td>equal to or less than</td> <td>Ii</td> </tr> <tr> <td>Po</td> <td>equal to or less than</td> <td>Pi</td> </tr> <tr> <td>La</td> <td>equal to or greater than</td> <td>Lcable + Li</td> </tr> <tr> <td>Ca</td> <td>equal to or greater than</td> <td>Ccable + Ci</td> </tr> </table> <p>5. Hazardous (classified) location equipment complying with the requirements of note 4 and the input parameters listed on Sheets 1 and 2 for Terminals 3 and 4, and 5 and 6, or simple apparatus.</p> <p>6. Simple apparatus or FM approved associated apparatus with contacts having entity parameters complying with the following requirements:</p> <table style="margin-left: 40px; border: none;"> <tr> <td style="padding-right: 20px;">Uo or Vt</td> <td style="padding-right: 20px;">equal to or less than</td> <td>Ui</td> </tr> <tr> <td>Io or It</td> <td>equal to or less than</td> <td>Ii</td> </tr> <tr> <td>La</td> <td>equal to or greater than</td> <td>Lcable + Li</td> </tr> <tr> <td>Ca</td> <td>equal to or greater than</td> <td>Ccable + Ci</td> </tr> </table> <p>7. To maintain NEMA 4X between the BA338C and the mounting panel:</p> <p>Four panel mounting clips should be used</p> <p>Minimum panel thickness should be 2mm (0.08inches) Steel 3mm (0.12inches) Aluminium</p> <p>Outside panel finish should be smooth, free from particle inclusions, runs or build-up around cut-out.</p> <p>Panel cut-out should be 66.2 x 136.0mm -0.0 +0.5 (2.60 x 5.35 inches -0.00 +0.02)</p> <p>Edges of panel cut-out should be deburred and clean</p> <p>Each panel mounting clip should be tightened to between: 20 and 22cNm (1.77 to 1.95 inLb)</p> <p style="text-align: right;">Cont.</p>										Uo or Vt	equal to or less than	Ui	Io or It	equal to or less than	Ii	Po	equal to or less than	Pi	La	equal to or greater than	Lcable + Li	Ca	equal to or greater than	Ccable + Ci	Uo or Vt	equal to or less than	Ui	Io or It	equal to or less than	Ii	La	equal to or greater than	Lcable + Li	Ca	equal to or greater than	Ccable + Ci
Uo or Vt	equal to or less than	Ui																																		
Io or It	equal to or less than	Ii																																		
Po	equal to or less than	Pi																																		
La	equal to or greater than	Lcable + Li																																		
Ca	equal to or greater than	Ccable + Ci																																		
Uo or Vt	equal to or less than	Ui																																		
Io or It	equal to or less than	Ii																																		
La	equal to or greater than	Lcable + Li																																		
Ca	equal to or greater than	Ccable + Ci																																		
Date				Modification		Ckd.		Appd.																												
22.04.2005				First release																																
Iss.		Date		Modification		Ckd.		Appd.																												
1		22.04.2005		First release																																
Title						Drawn	Checked	Scale																												
FM Approvals Control Drawing for intrinsically safe BA334D & BA338C Externally Powered Rate Totalisers						RC		NTS																												
						Drawing No.		Sheet 3																												
						C1330-32																														

Iss.		Date		Modification		Ckd.		Appd.							
1		22.04 2005		First release											
<div style="display: flex; justify-content: space-between; align-items: center;"> <div style="text-align: center;">  <p>BEKA Hitchin</p> </div> <div style="text-align: center;"> <p>associates England</p> </div> <div style="text-align: center;"> <p>company confidential, copyright reserved.</p> </div> </div>															
<p>8. When installed in a hazardous (classified) location the BA334D shall be fitted with cable glands / conduit hubs selected from the following table. Metallic glands and hubs must be grounded – see note 9.</p> <table border="1" style="width: 100%; border-collapse: collapse;"> <thead> <tr> <th style="width: 20%;">Class</th> <th>Permitted gland or conduit hub</th> </tr> </thead> <tbody> <tr> <td>Class I</td> <td>Any metallic or plastic cable gland or conduit hub that provides the required environmental protection.</td> </tr> <tr> <td>Class II and III</td> <td> <p>Crouse – Hinds Myler hubs SSTG-1 STG-1 STAG-1 MHUB-1</p> <p>O-Z / Gedrey hubs CHMG-50DT</p> <p>REMKE hub WH-1-G</p> <p>Killark Glands CMCXAA050 MCR050 MCX050</p> </td> </tr> </tbody> </table>										Class	Permitted gland or conduit hub	Class I	Any metallic or plastic cable gland or conduit hub that provides the required environmental protection.	Class II and III	<p>Crouse – Hinds Myler hubs SSTG-1 STG-1 STAG-1 MHUB-1</p> <p>O-Z / Gedrey hubs CHMG-50DT</p> <p>REMKE hub WH-1-G</p> <p>Killark Glands CMCXAA050 MCR050 MCX050</p>
Class	Permitted gland or conduit hub														
Class I	Any metallic or plastic cable gland or conduit hub that provides the required environmental protection.														
Class II and III	<p>Crouse – Hinds Myler hubs SSTG-1 STG-1 STAG-1 MHUB-1</p> <p>O-Z / Gedrey hubs CHMG-50DT</p> <p>REMKE hub WH-1-G</p> <p>Killark Glands CMCXAA050 MCR050 MCX050</p>														
<p>9. In addition to the supplied bonding plate, when 2 or 3 metallic glands or conduit hubs are fitted to a BA334D, all metallic glands or conduit hubs must be connected together and grounded.</p> <p>10. CAUTION: The BA334D enclosure is manufactured from conductive plastic per Article 250 of the National Electrical Code the enclosures shall be grounded using the 'E' terminal on the terminal block.</p> <p>11. Circuit connections to terminals 1 & 2; 7 & 8; B1 & B2; P1 & P2; C1 & C2; A1 & A2 and A3 & A4 shall be installed as separate intrinsically safe circuits in accordance with the National Electrical Code.</p>															
<p>Title</p> <p style="text-align: center;">FM Approvals Control Drawing for intrinsically safe BA334D & BA338C Externally Powered Rate Totalisers</p>						<p>Drawn</p> <p style="text-align: center;">RC</p>	<p>Checked</p>	<p>Scale</p> <p style="text-align: center;">NTS</p>							
						<p>Drawing No.</p> <p>Sheet 4</p>		<p>CI330-32</p>							

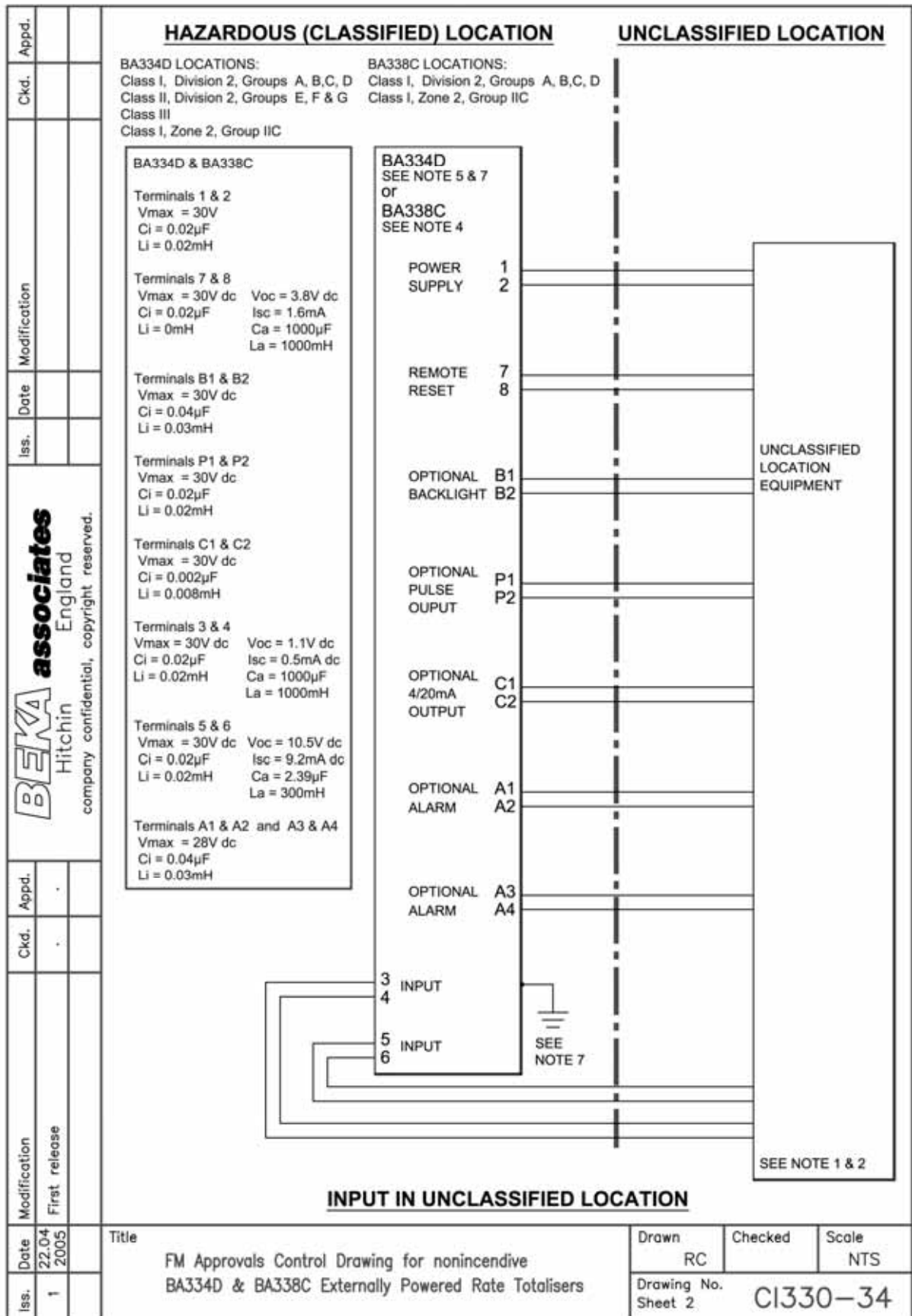



Title

FM Approvals Control Drawing for nonincendive
BA334D & BA338C Externally Powered Rate Totalisers

Drawn RC	Checked	Scale NTS
Drawing No. Sheet 1 of 4		

CI330-34



Iss.		Date		Modification		Ckd.		Appd.							
1		22.04 2005		First release											
			<p>5. When installed in a hazardous (classified) location the BA334D shall be fitted with cable glands / conduit hubs selected from the following table. Metallic glands and hubs must be grounded – see note 7.</p> <table border="1" style="width: 100%; border-collapse: collapse; margin: 10px 0;"> <thead> <tr> <th style="width: 20%; text-align: center;">Class</th> <th style="text-align: center;">Permitted gland or conduit hub</th> </tr> </thead> <tbody> <tr> <td style="text-align: center;">Class I</td> <td>Any metallic or plastic cable gland or conduit hub that provides the required environmental protection.</td> </tr> <tr> <td style="text-align: center;">Class II and III</td> <td> Crouse – Hinds Myler hubs SSTG-1 STG-1 STAG-1 MHUB-1 O-Z / Gedrey hubs CHMG-50DT REMKE hub WH-1-G Killark Glands CMCXAA050 MCR050 MCX050 </td> </tr> </tbody> </table> <p>6. In addition to the supplied bonding plate, when 2 or 3 metallic glands or conduit hubs are fitted to a BA334D, all metallic glands or conduit hubs must be connected together and grounded.</p> <p>7. CAUTION: The BA334D enclosure is manufactured from conductive plastic per Article 250 of the National Electrical Code the enclosures shall be grounded using the 'E' terminal on the terminal block.</p> <p>8. NIFW = Nonincendive Field Wiring; any of the wiring methods permitted for unclassified locations, as defined in the National Electrical Code ANSI/NFPA 70, may be used for this installation.</p>							Class	Permitted gland or conduit hub	Class I	Any metallic or plastic cable gland or conduit hub that provides the required environmental protection.	Class II and III	Crouse – Hinds Myler hubs SSTG-1 STG-1 STAG-1 MHUB-1 O-Z / Gedrey hubs CHMG-50DT REMKE hub WH-1-G Killark Glands CMCXAA050 MCR050 MCX050
			Class	Permitted gland or conduit hub											
Class I	Any metallic or plastic cable gland or conduit hub that provides the required environmental protection.														
Class II and III	Crouse – Hinds Myler hubs SSTG-1 STG-1 STAG-1 MHUB-1 O-Z / Gedrey hubs CHMG-50DT REMKE hub WH-1-G Killark Glands CMCXAA050 MCR050 MCX050														
Date	22.04 2005	Title			Drawn	Checked	Scale								
		FM Approvals Control Drawing for nonincendive BA334D & BA338C Externally Powered Rate Totalisers			RC		NTS								
					Drawing No. Sheet 4		CI330-34								